



# SERENO STONE

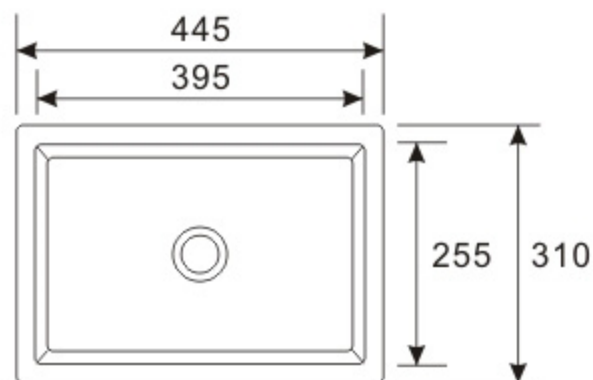
Sink Catalog 2024

**Compiles with:**

ASME A112.19.2-2013/CSA B45.1-13



## Cutaway View



## Model : MJ-203A

Undermount Sink

OD Size: 445 x 310 x 155 mm  
17 4/8" x 12 2/8" x 6 1/8"

ID Size: 395 x 255 mm  
15 4/8" x 10"

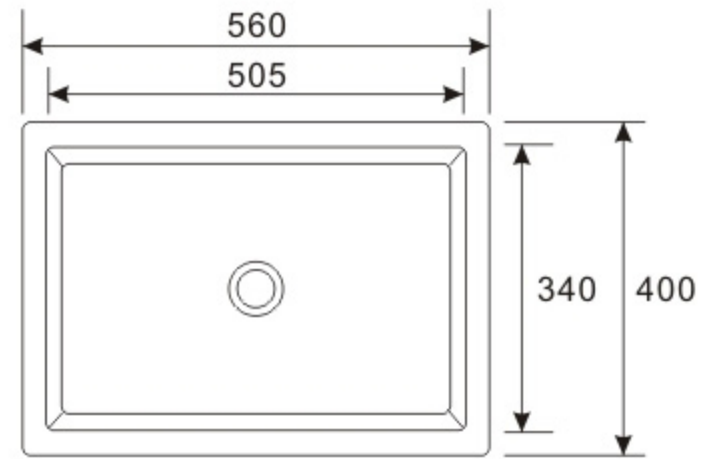
Installation: Under-mount

**Compiles with:**

ASME A112.19.2-2013/CSA B45.1-13



## Cutaway View



## Model : MJ-203C

Undermount Sink

OD Size: 560 x 400 x 155 mm  
22" x 15 6/8" x 6 1/8"

ID Size: 505 x 340 mm

19 7/8" x 13 3/8"

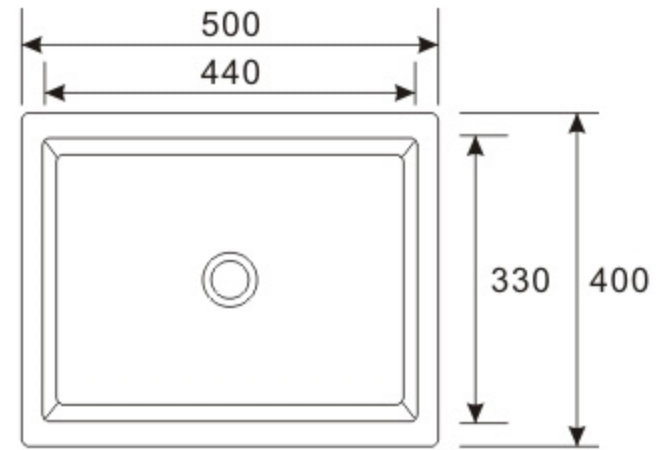
Installation: Under-mount

**Compiles with:**

ASME A112.19.2-2013/CSA B45.1-13



## Cutaway View



## Model : MJ-203D

Undermount Sink

OD Size: 500 x 400 x 160 mm

19 5/8" x 15 6/8" x 6 2/8"

ID Size: 440 x 330 mm

17 3/8" x 13"

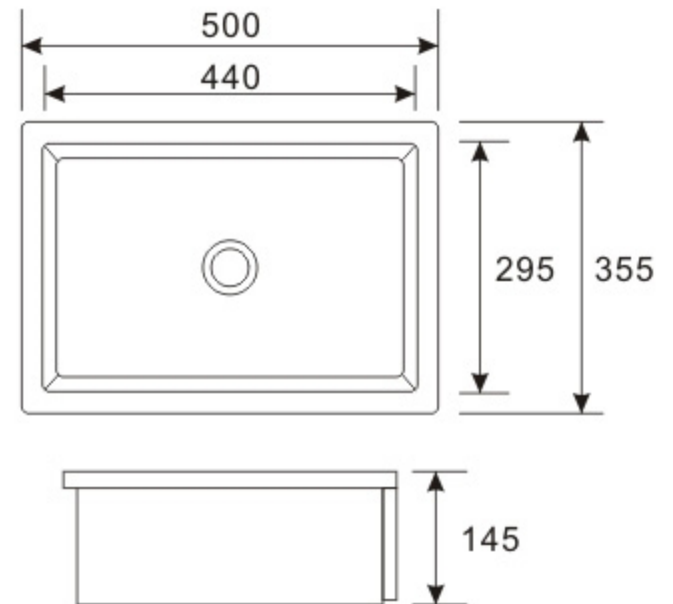
Installation: Under-mount

**Compiles with:**

ASME A112.19.2-2013/CSA B45.1-13



## Cutaway View



## Model : MJ-203E

Undermount Sink

OD Size: 500 x 355 x 145 mm  
19 5/8" x 14" x 5 6/8"

ID Size: 440 x 295 mm

17 3/8" x 11 5/8"

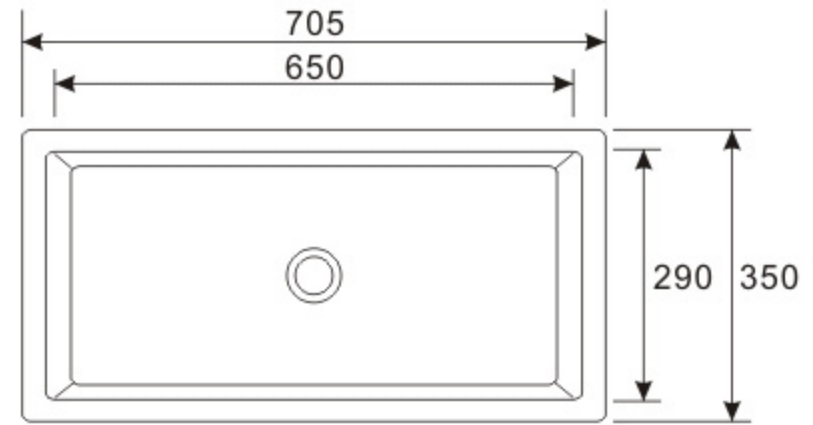
Installation: Under-mount

**Compiles with:**

ASME A112.19.2-2013/CSA B45.1-13



## Cutaway View



## Model : MJ-203F

Undermount Sink

OD Size: 705 x 350 x 155 mm  
27 6/8" x 13 6/8" x 6 1/8"

ID Size: 650 x 290 mm  
25 5/8" x 11 3/8"

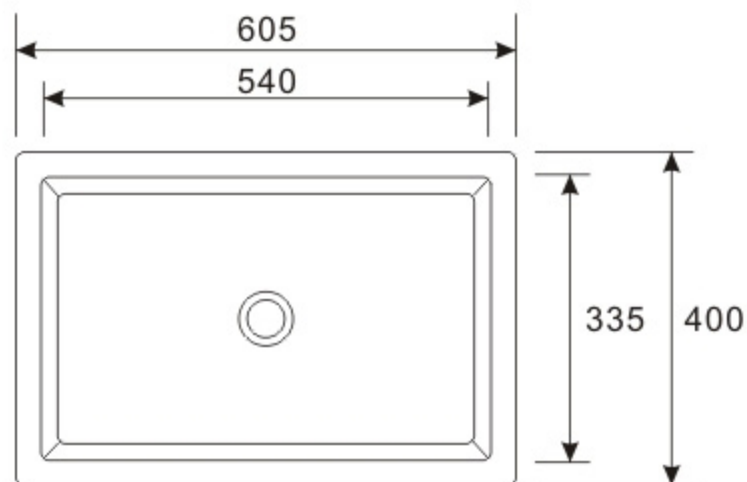
Installation: Under-mount

**Compiles with:**

ASME A112.19.2-2013/CSA B45.1-13



## Cutaway View



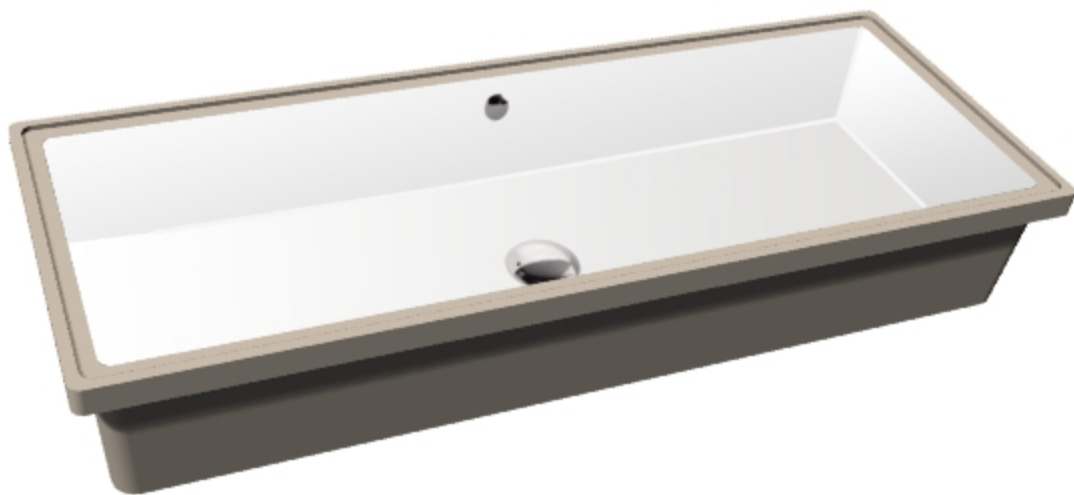
## Model : MJ-203G

Undermount Sink

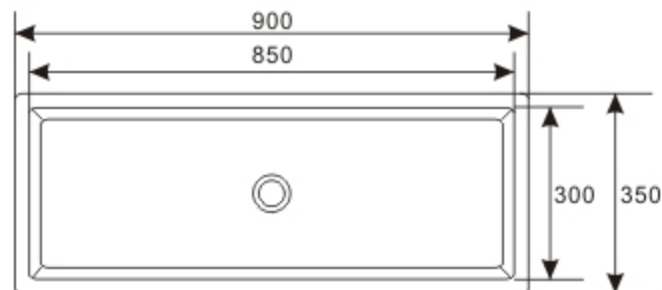
OD Size: 605 x 400 x 160 mm  
23 7/8" x 15 6/8" x 6 2/8"

ID Size: 540 x 335 mm  
21 2/8" x 13 2/8"

Installation: Under-mount



## Cutaway View



### Model : MJ-203H

Undermount Sink

OD Size: 900 x 350 x 155 mm

35 3/8" x 13 6/8" x 6 1/8"

ID Size: 850 x 300 mm

33 4/8" x 11 6/8"

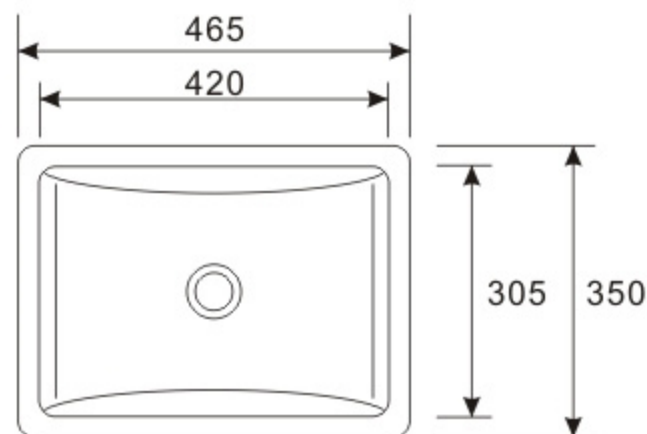
Installation: Under-mount



**Compiles with:**

ASME A112.19.2-2013/CSA B45.1-13

## Cutaway View



## Model : MJ-202H

Undermount Sink

OD Size: 465 x 350 x 210 mm

18 2/8" x 13 6/8" x 8 2/8"

ID Size: 420 x 305 mm

16 4/8" x 12"

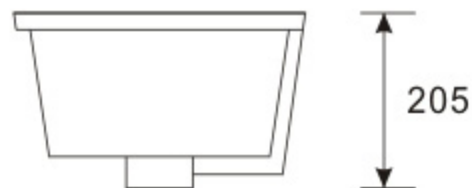
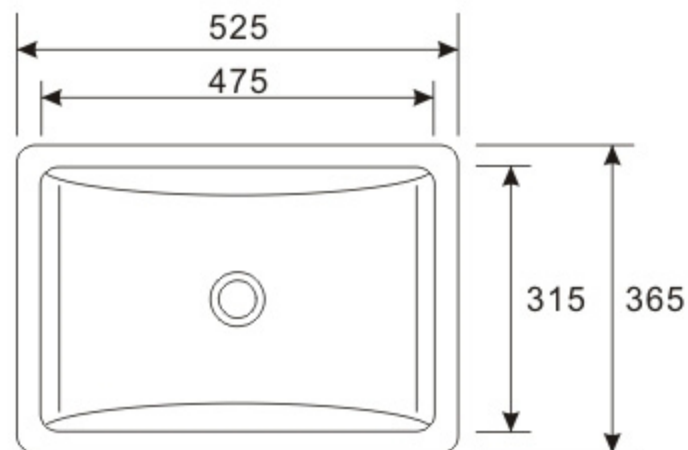
Installation: Under-mount

**Compiles with:**

ASME A112.19.2-2013/CSA B45.1-13

# 1812

## Cutaway View



**Model : MJ-202F**

Undermount Sink

OD Size: 525 x 365 x 205 mm

20 5/8" x 14 3/8" x 8 1/8"

ID Size: 475 x 315 mm

18 6/8" x 12 3/8"

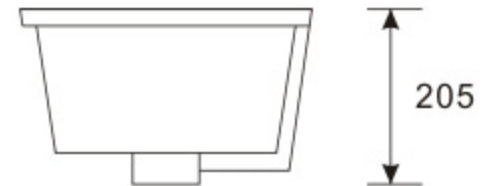
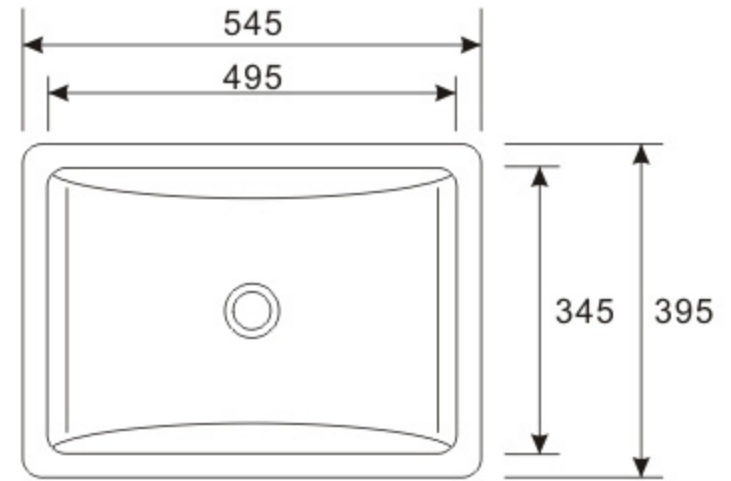
Installation: Under-mount

**Compiles with:**

ASME A112.19.2-2013/CSA B45.1-13



## Cutaway View



## Model : MJ-202G

Undermount Sink

OD Size: 545 x 395 x 205 mm

21 4/8" x 15 4/8" x 8 1/8"

ID Size: 495 x 345 mm

19 4/8" x 13 5/8"

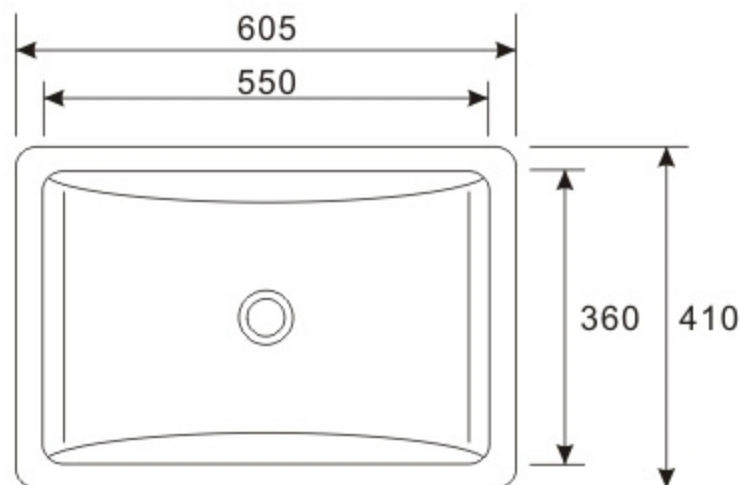
Installation: Under-mount

**Compiles with:**

ASME A112.19.2-2013/CSA B45.1-13



## Cutaway View



## Model : MJ-202E

Undermount Sink

OD Size: 605 x 410 x 195 mm  
23 7/8" x 16 1/8" x 7 5/8"

ID Size: 550 x 360 mm  
21 5/8" x 14 1/8"

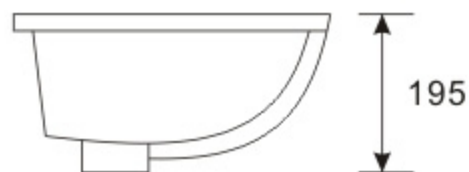
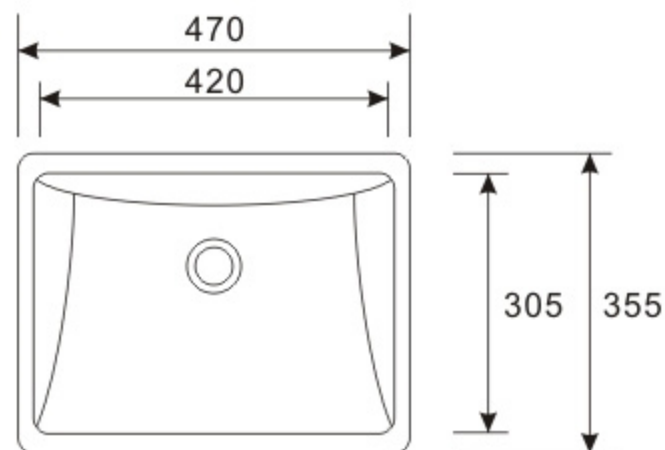
Installation: Under-mount

**Compiles with:**

ASME A112.19.2-2013/CSA B45.1-13



## Cutaway View



## Model : MJ-202C

Undermount Sink

OD Size: 470 x 355 x 195 mm

18 4/8" x 14" x 7 5/8"

ID Size: 420 x 305 mm

16 4/8" x 12"

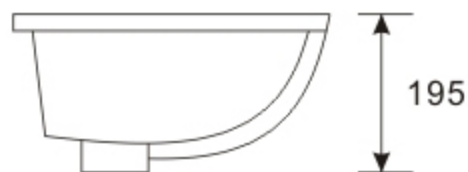
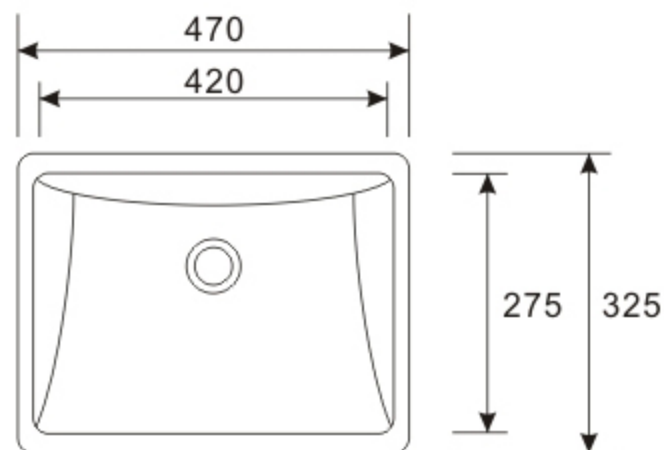
Installation: Under-mount

**Compiles with:**

ASME A112.19.2-2013/CSA B45.1-13



## Cutaway View



## Model : MJ-202C-2

Undermount Sink

OD Size: 470 x 325 x 195 mm

18 4/8" x 13" x 7 5/8"

ID Size: 420 x 275 mm

16 4/8" x 11 "

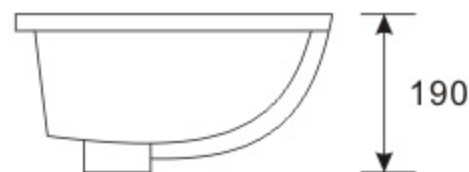
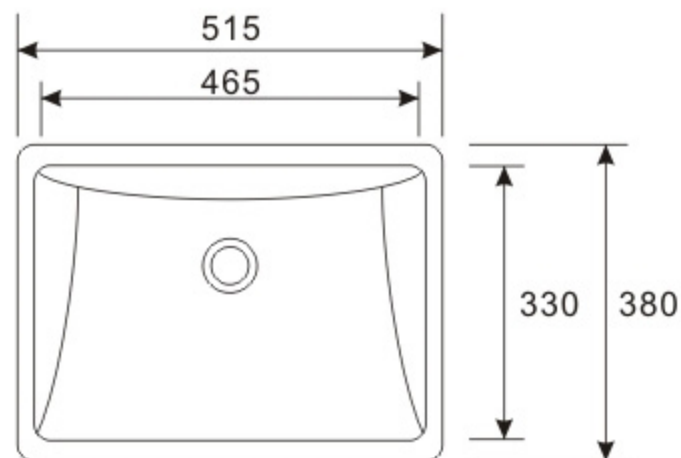
Installation: Under-mount

**Compiles with:**

ASME A112.19.2-2013/CSA B45.1-13

# 1813

## Cutaway View



## Model : MJ-202M

Undermount Sink

OD Size: 515 x 380 x 190 mm  
20 2/8" x 15" x 7 4/8"

ID Size: 465 x 330 mm  
18 2/8" x 13"

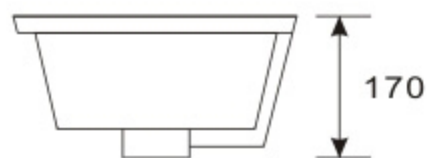
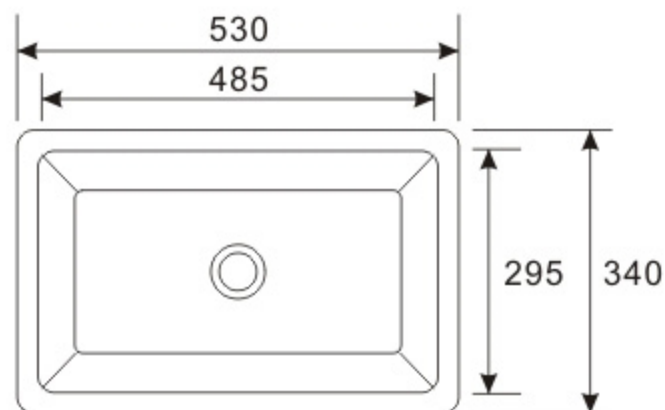
Installation: Under-mount

**Compiles with:**

ASME A112.19.2-2013/CSA B45.1-13



## Cutaway View



## Model : MJ-202A

Undermount Sink

OD Size: 530 x 340 x 170 mm

20 7/8" x 13 3/8" x 6 6/8"

ID Size: 485 x 295 mm

19 1/8" x 11 5/8"

Installation: Under-mount

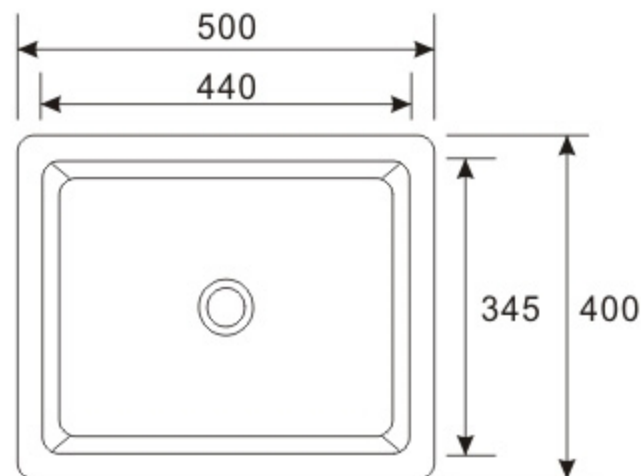


**Compiles with:**

ASME A112.19.2-2013/CSA B45.1-13



## Cutaway View



## Model : MJ-202A2

Undermount Sink

OD Size: 500 x 400 x 185 mm

19 5/8" x 15 6/8" x 7 2/8"

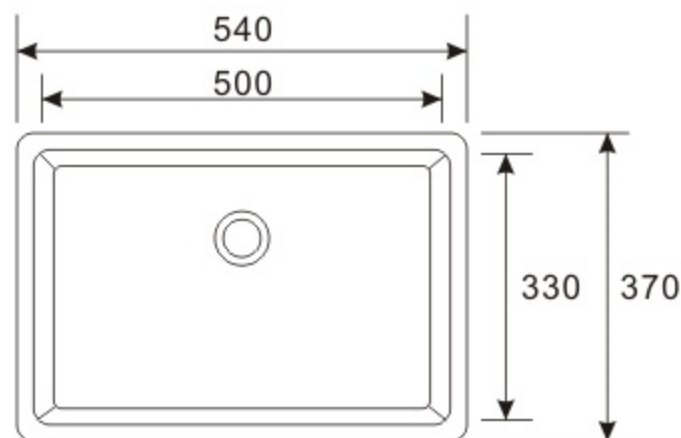
ID Size: 440 x 345 mm

17 3/8" x 13 5/8"

Installation: Under-mount



## Cutaway View



### Model : MJ-202A3

Undermount Sink

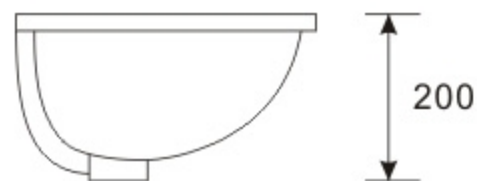
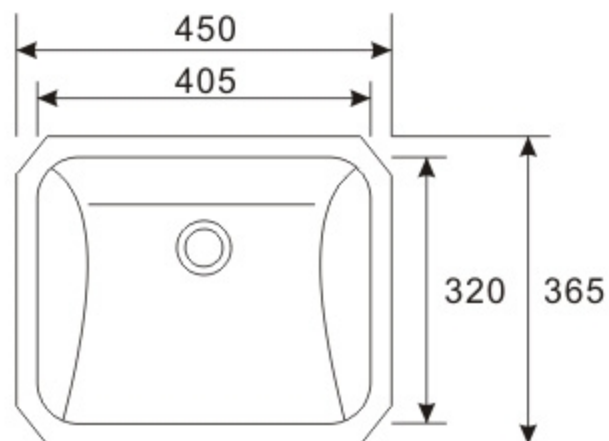
OD Size: 540 x 370 x 180 mm  
21 2/8" x 14 5/8" x 7 1/8"

ID Size: 500 x 330 mm  
19 5/8" x 13"

Installation: Under-mount



## Cutaway View



### Model : MJ-202B

Undermount Sink

OD Size: 450 x 365 x 200 mm

17 6/8" x 14 3/8" x 7 7/8"

ID Size: 405 x 320 mm

16" x 12 5/8"

Installation: Under-mount

**Complies with:**

ASME A112.19.2-2013/CSA B45.1-13



## **Model : MJ-202K1**

Undermount Sink

OD Size: 440 x 440 x 190 mm

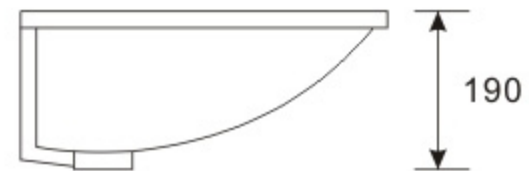
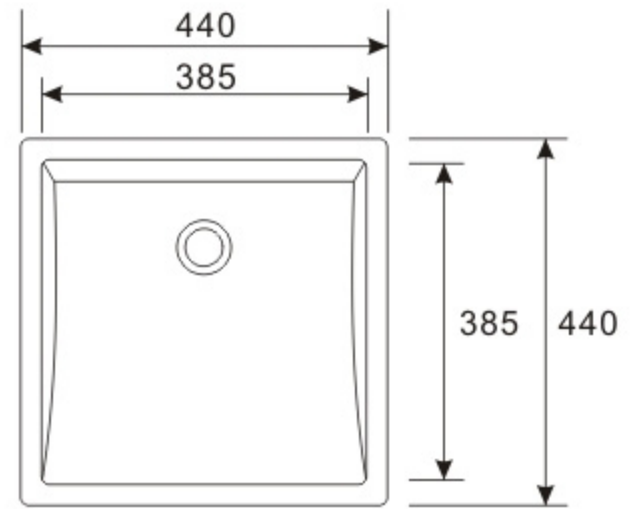
17 3/8" x 17 3/8" x 7 4/8"

ID Size: 385 x 385 mm

15 1/8" x 15 1/8"

Installation: Under-mount

## **Cutaway View**





## Model : MJ-202K5

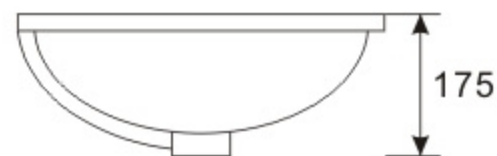
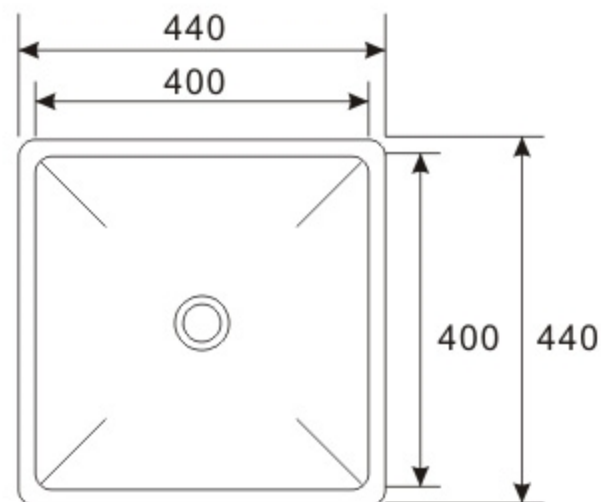
Undermount Sink

OD Size: 440 x 440 x 175 mm  
17 3/8" x 17 3/8" x 6 7/8"

ID Size: 400 x 400 mm  
15 6/8" x 15 6/8"

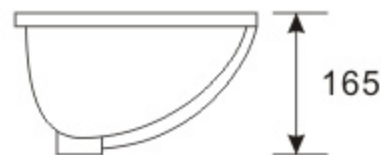
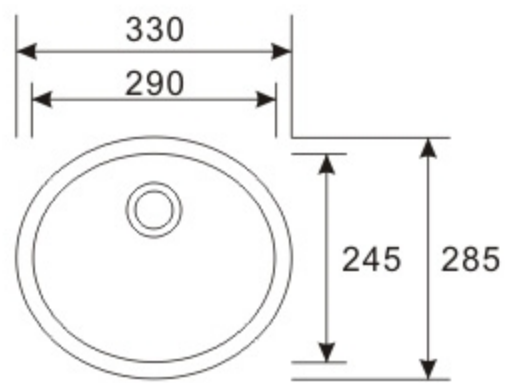
Installation: Under-mount

## Cutaway View





## Cutaway View



### **Model : MJ-205C**

Undermount Sink

OD Size: 330 x 285 x 165 mm  
13" x 11 2/8" x 6 4/8"

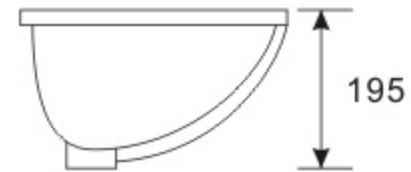
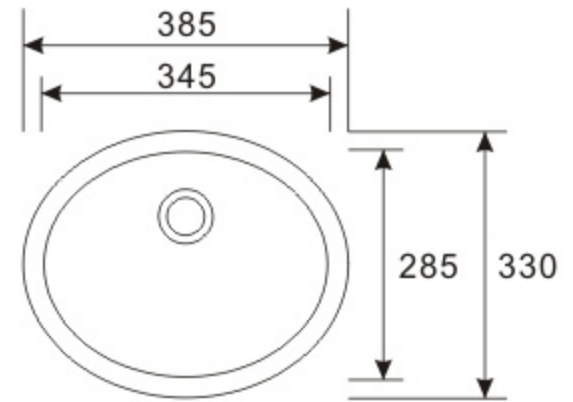
ID Size: 290 x 245 mm

11 3/8" x 9 5/8"

Installation: Under-mount



## Cutaway View



### **Model : MJ-205F**

Undermount Sink

OD Size: 385 x 330 x 195 mm  
15 1/8" x 13" x 7 5/8"

ID Size: 345 x 285 mm  
13 5/8" x 11 2/8"

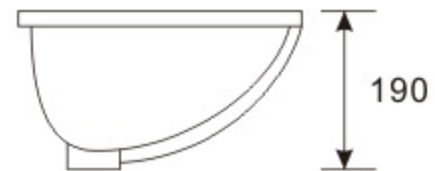
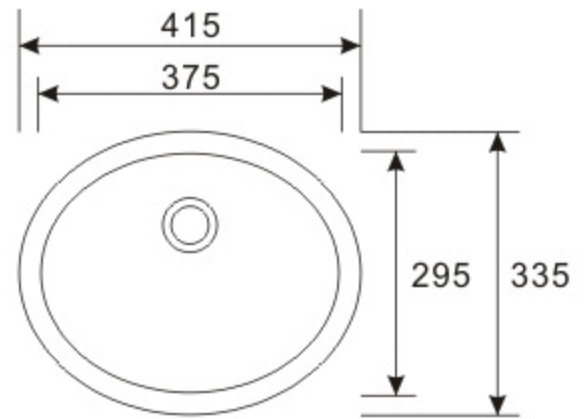
Installation: Under-mount

**Compiles with:**

ASME A112.19.2-2013/CSA B45.1-13



## Cutaway View



## Model : MJ-205E

Undermount Sink

OD Size: 415 x 335 x 190 mm

16 3/8" x 13 2/8" x 7 4/8"

ID Size: 375 x 295 mm

14 6/8" x 11 5/8"

Installation: Under-mount



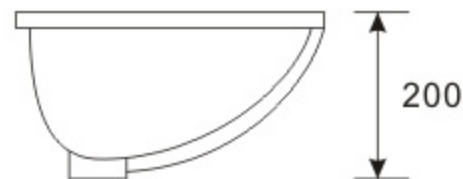
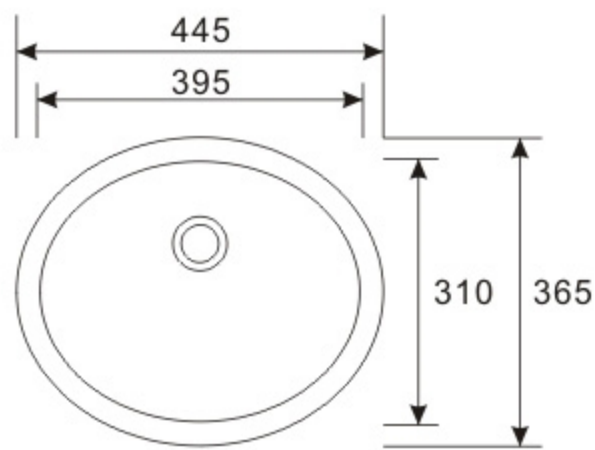
**Compiles with:**

ASME A112.19.2-2013/CSA B45.1-13



# 1512

## Cutaway View



### **Model : MJ-205B**

Undermount Sink

OD Size: 445 x 365 x 200 mm

17 4/8" x 14 3/8" x 7 7/8"

ID Size: 395 x 310 mm

15 4/8" x 12 2/8"

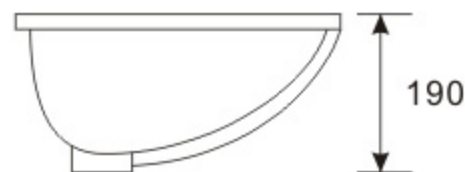
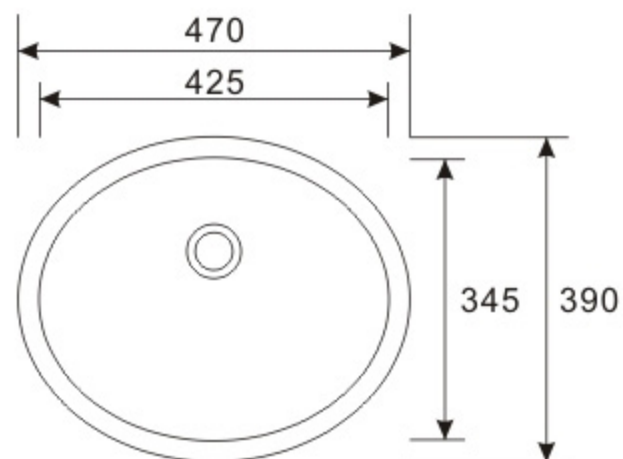
Installation: Under-mount

**Compiles with:**

ASME A112.19.2-2013/CSA B45.1-13



## Cutaway View



## Model : MJ-205

Undermount Sink

OD Size: 470 x 390 x 190 mm

18 4/8" x 15 3/8" x 7 4/8"

ID Size: 425 x 345mm

16 6/8" x 13 5/8"

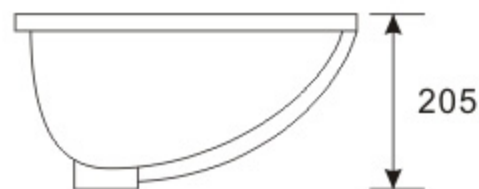
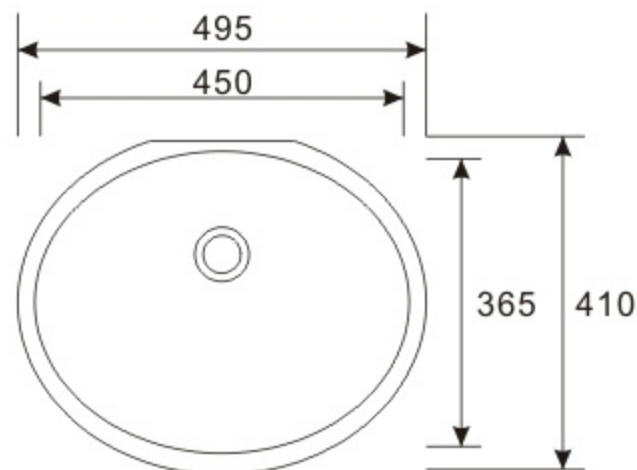
Installation: Under-mount

**Compiles with:**

ASME A112.19.2-2013/CSA B45.1-13

# 1714

## Cutaway View



## Model : MJ-206

Undermount Sink

OD Size: 495 x 410 x 205 mm  
19 4/8" x 16 1/8" x 8 1/8"

ID Size: 450 x 365 mm

17 6/8" x 14 3/8"

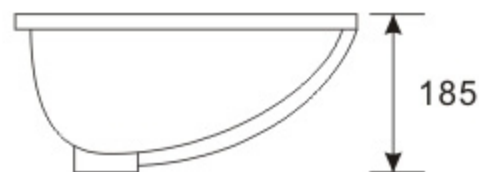
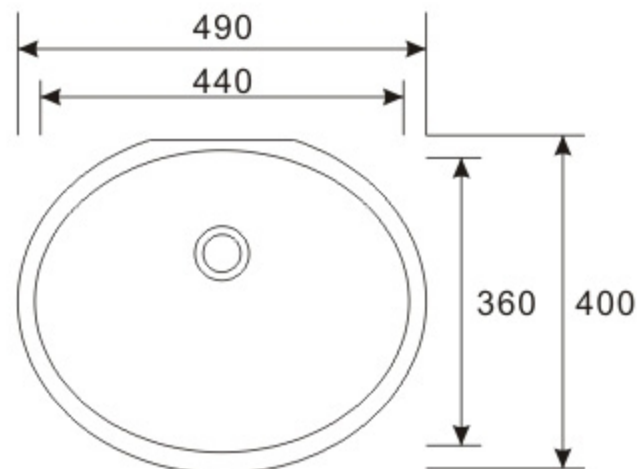
Installation: Under-mount

Compiles with:

ASME A112.19.2-2013/CSA B45.1-13

# 1714B

## Cutaway View



## Model : MJ-206B

Undermount Sink

OD Size: 490 x 400 x 185 mm

19 2/8" x 15 6/8" x 7 2/8"

ID Size: 440 x 360 mm

17 3/8" x 14 1/8"

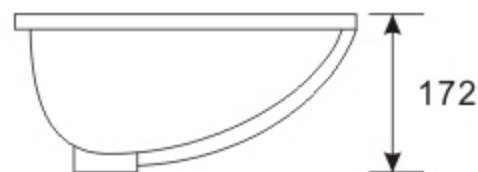
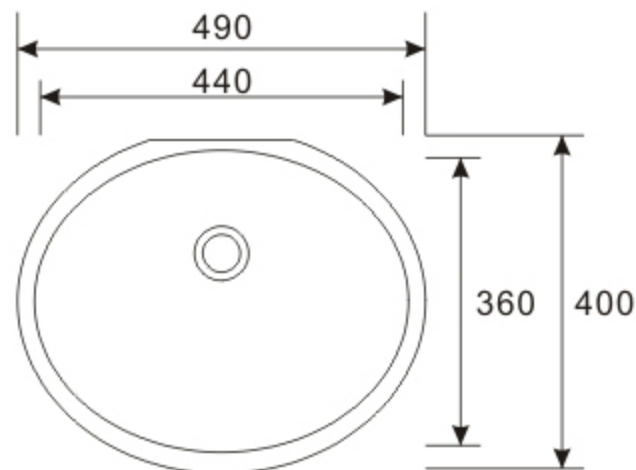
Installation: Under-mount

Compiles with:

ASME A112.19.2-2013/CSA B45.1-13

# 1714C

## Cutaway View



### Model : MJ-206C

Undermount Sink

OD Size: 490 x 400 x 172 mm  
19 2/8" x 15 6/8" x 6 6/8"

ID Size: 440 x 360 mm  
17 3/8" x 14 1/8"

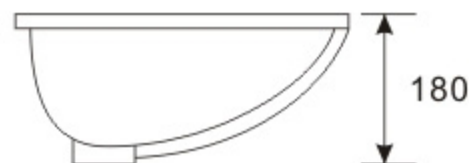
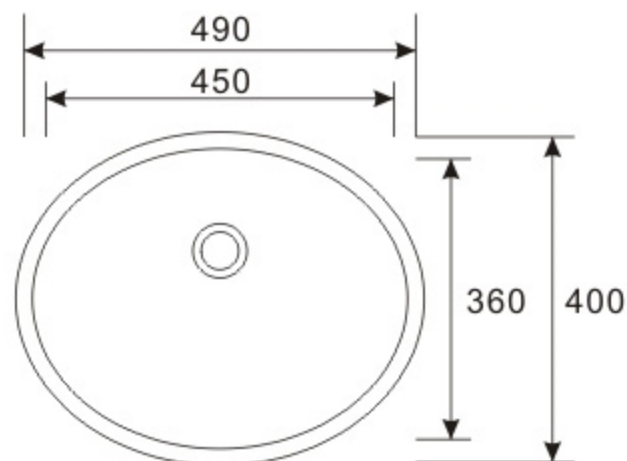
Installation: Under-mount

Compiles with:

ASME A112.19.2-2013/CSA B45.1-13

# 1714A

## Cutaway View



## Model : MJ-210A

Undermount Sink

OD Size: 490 x 400 x 180 mm

19 2/8" x 15 6/8" x 7 1/8"

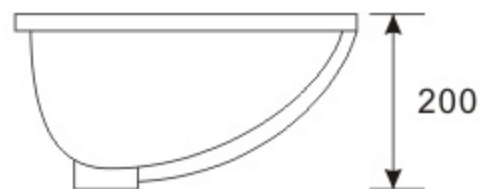
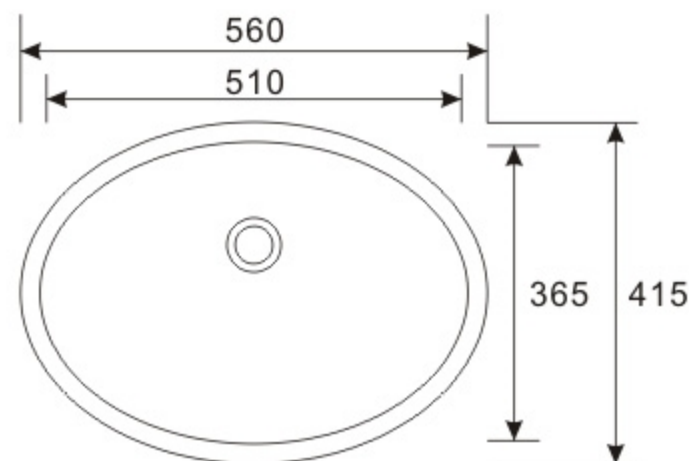
ID Size: 450 x 360 mm

17 6/8" x 14 1/8"

Installation: Under-mount



## Cutaway View



### Model : MJ-207

Undermount Sink

OD Size: 560 x 415 x 200 mm  
22" x 16 3/8" x 7 7/8"

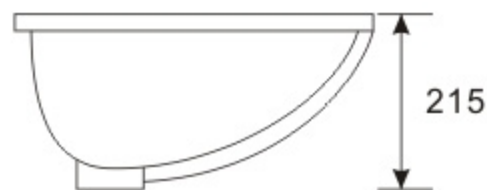
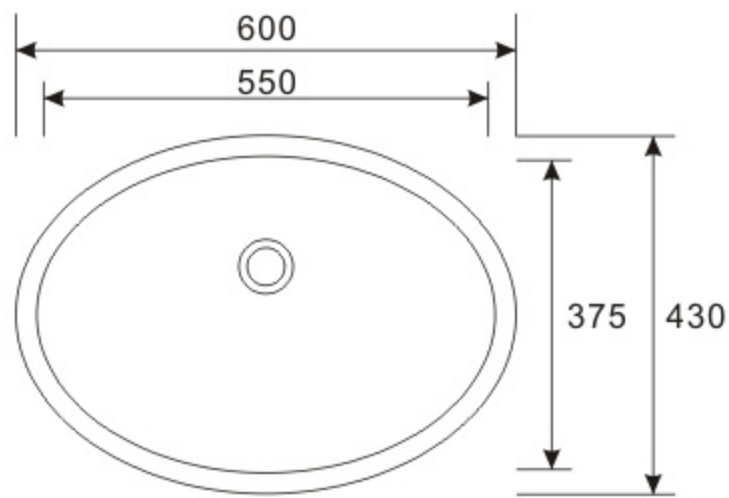
ID Size: 510 x 365 mm

20 1/8" x 14 3/8"

Installation: Under-mount



## Cutaway View



### Model : MJ-207D

Undermount Sink

OD Size: 600 x 430 x 215 mm  
23 5/8" x 16 7/8" x 8 4/8"

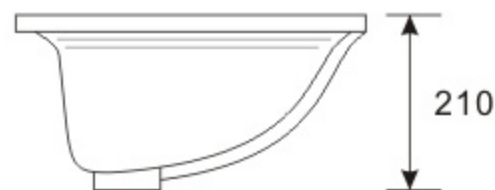
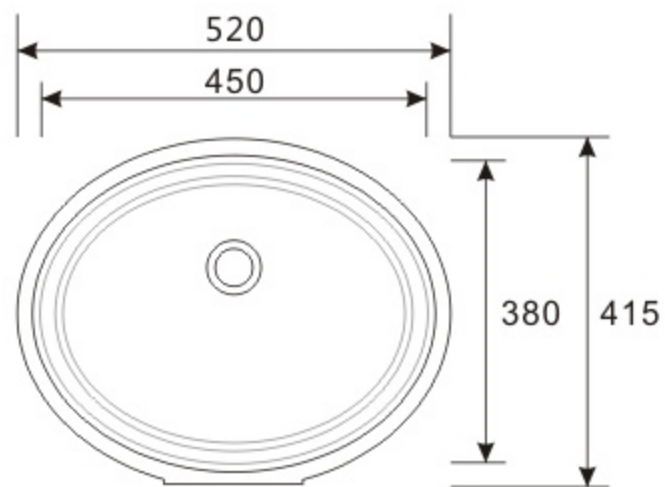
ID Size: 550 x 375 mm  
21 5/8" x 14 6/8"

Installation: Under-mount





## Cutaway View



### Model : MJ-211A

Undermount Sink

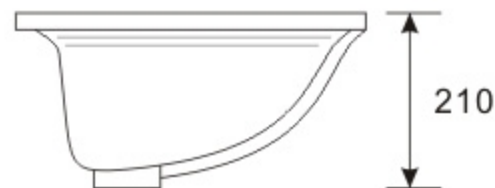
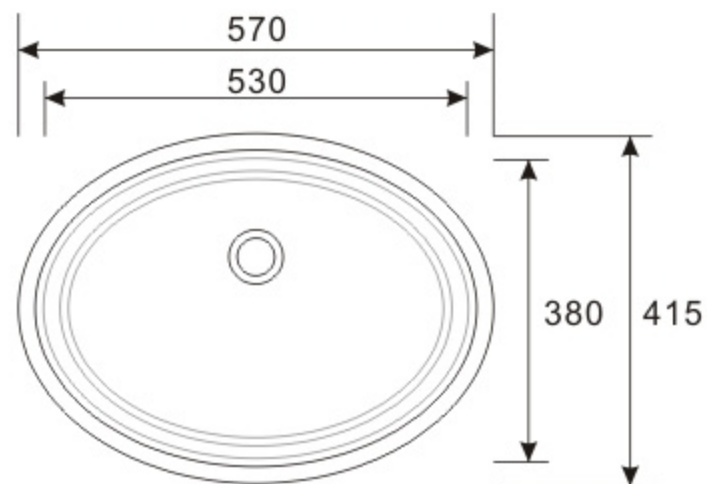
OD Size: 520 x 415 x 210 mm  
20 4/8" x 16 3/8" x 8 2/8"

ID Size: 450 x 380 mm  
17 6/8" x 15"

Installation: Under-mount



## Cutaway View



### **Model : MJ-211B**

Undermount Sink

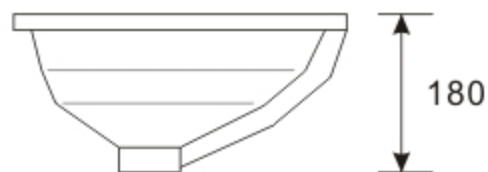
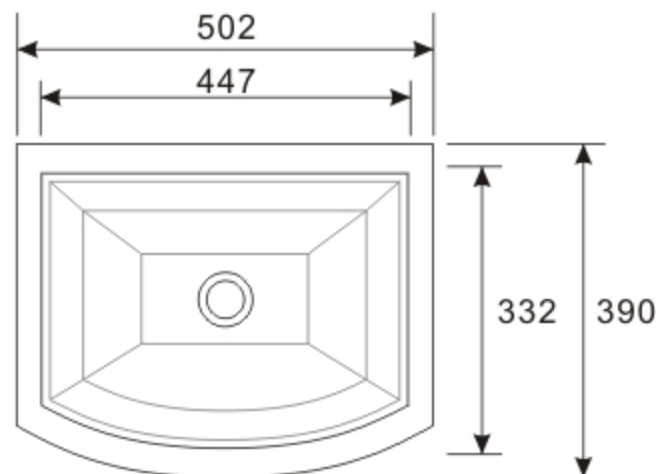
OD Size: 570 x 415 x 210 mm  
22 4/8" x 16 3/8" x 8 2/8"

ID Size: 530 x 380 mm  
20 7/8" x 15"

Installation: Under-mount



## Cutaway View



## Model : MJ-2021

Undermount Sink

OD Size: 502 x 390 x 180 mm

19 6/8" x 15 3/8" x 7 1/8"

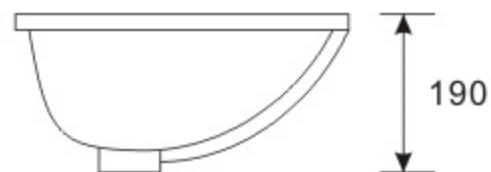
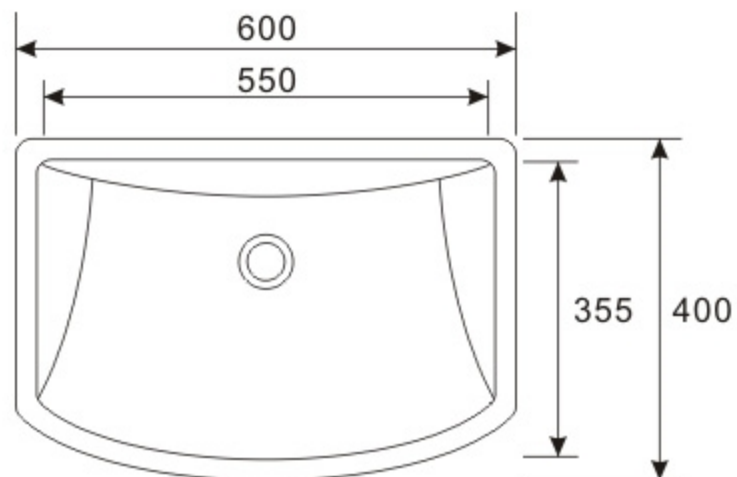
ID Size: 447 x 332 mm

17 5/8" x 13 1/8"

Installation: Under-mount



## Cutaway View



## Model : MJ-2022

Undermount Sink

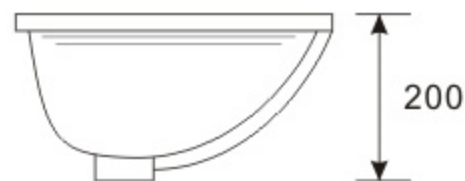
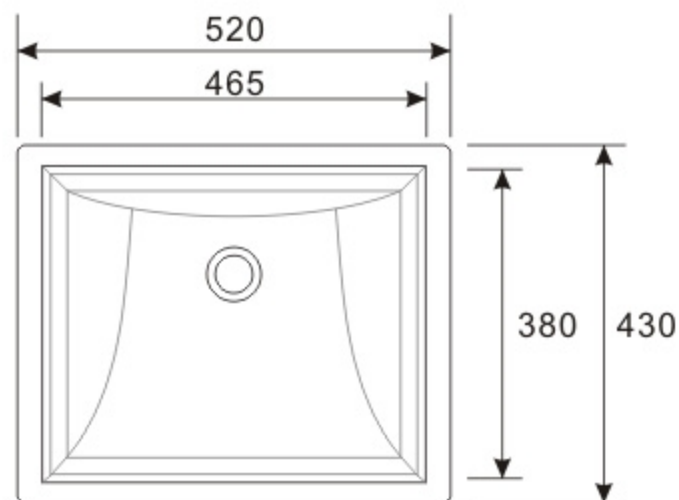
OD Size: 600 x 400 x 190 mm  
23 5/8" x 15 6/8" x 7 4/8"

ID Size: 550 x 355 mm  
21 5/8" x 14"

Installation: Under-mount



## Cutaway View



## Model : MJ-2023

Undermount Sink

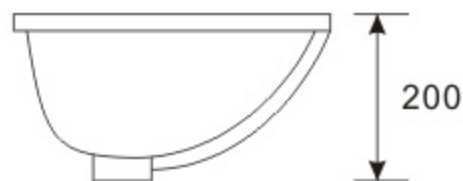
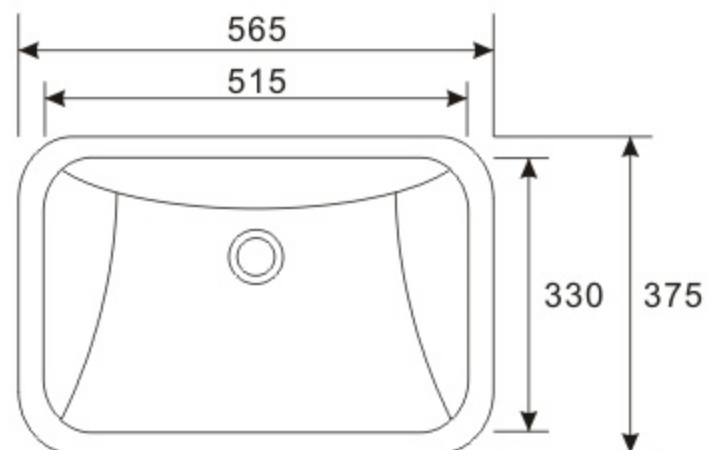
OD Size: 520 x 430 x 200 mm  
20 4/8" x 16 7/8" x 7 7/8"

ID Size: 465 x 380 mm  
18 2/8" x 15"

Installation: Under-mount



## Cutaway View



### Model : MJ-2024

Undermount Sink

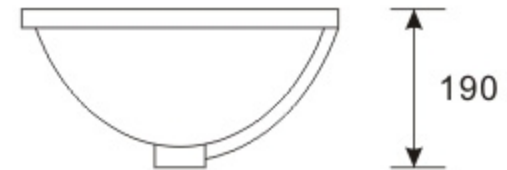
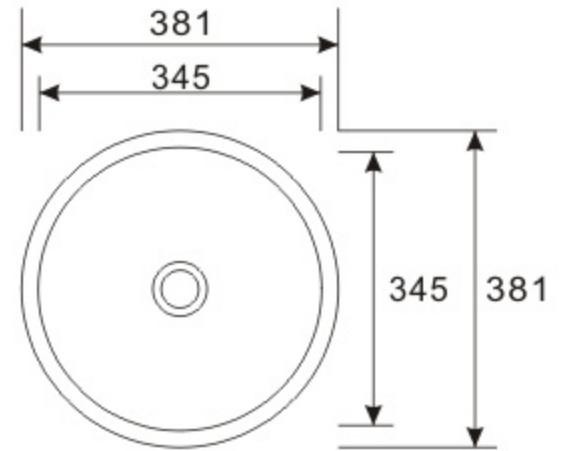
OD Size: 565 x 375 x 200 mm  
22 2/8" x 14 6/8" x 7 7/8"

ID Size: 515 x 330 mm  
20 2/8" x 13"

Installation: Under-mount



## Cutaway View



### Model : MJ-276C

Undermount Sink

OD Size: 381 x 381 x 190 mm

15" x 15" x 7 4/8"

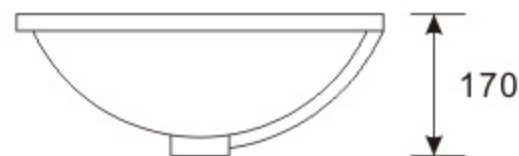
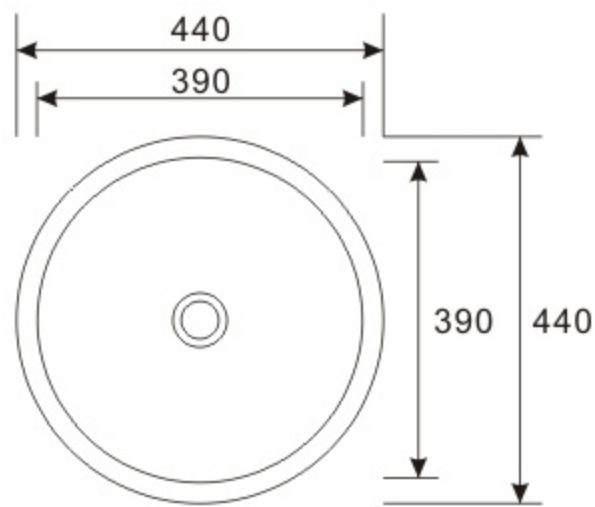
ID Size: 345 x 345 mm

13 5/8" x 13 5/8"

Installation: Under-mount



## Cutaway View



## Model : MJ-276

Undermount Sink

OD Size: 440 x 440 x 170 mm  
17 3/8" x 17 3/8" x 6 6/8"

ID Size: 390 x 390 mm  
15 3/8" x 15 3/8"

Installation: Under-mount



**Compiles with:**

ASME A112.19.2-2013/CSA B45.1-13



## **Model : MJ-209A**

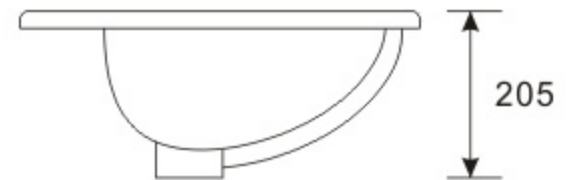
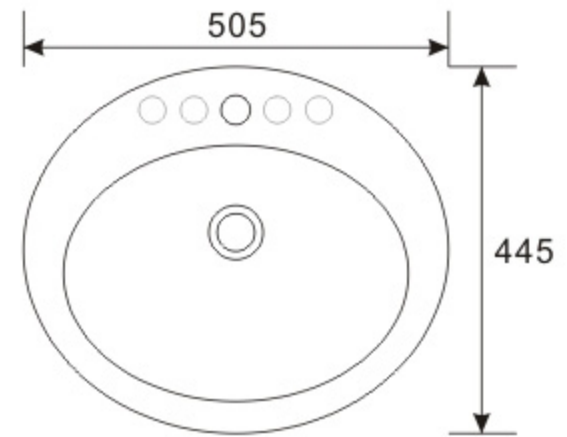
Drop-in Sink

Size: 505 x 445 x 205 mm

19 7/8" x 17 4/8" x 8 1/8"

Installation: Drop-in

## **Cutaway View**

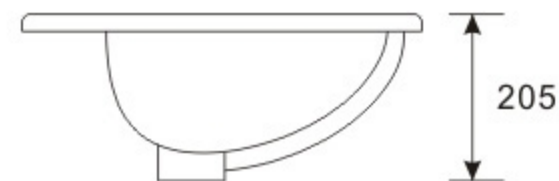
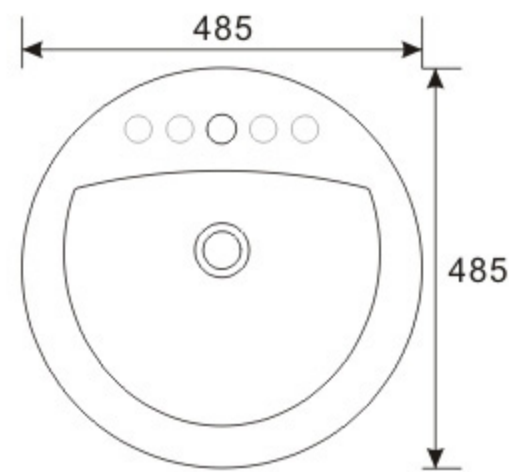


**Compiles with:**

ASME A112.19.2-2013/CSA B45.1-13

# 1919

## Cutaway View



**Model : MJ-209B**

Drop-in Sink

Size: 485 x 485 x 205 mm

19 1/8" x 19 1/8" x 8 1/8"

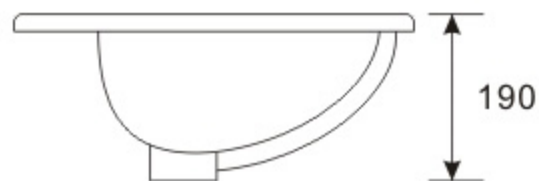
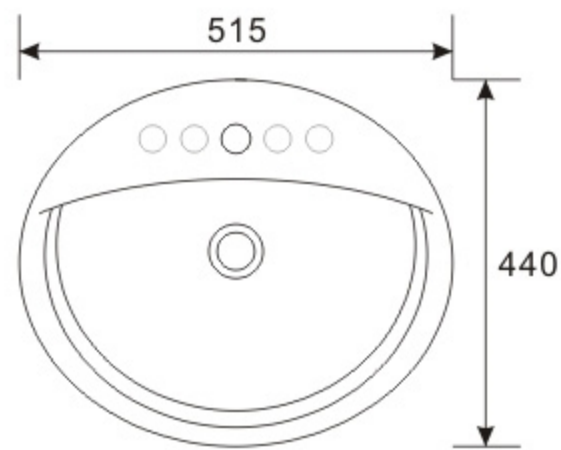
Installation: Drop-in

**Complies with:**

ASME A112.19.2-2013/CSA B45.1-13

# 2017

## Cutaway View



**Model : MJ-209C**

Drop-in Sink

Size: 515 x 440 x 190 mm

20 2/8" x 17 3/8" x 7 4/8"

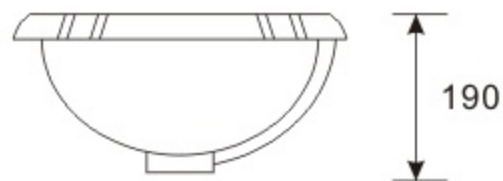
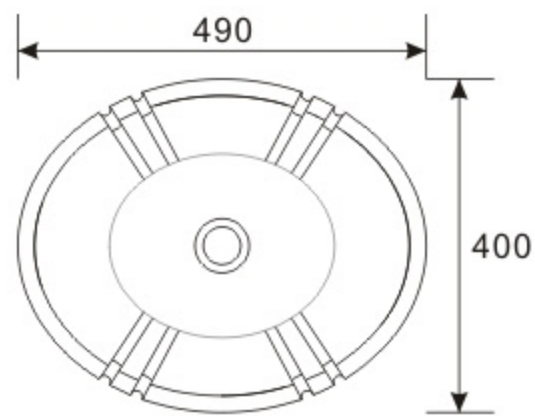
Installation: Drop-in

**Complies with:**

ASME A112.19.2-2013/CSA B45.1-13



## Cutaway View



## Model : MJ-209D

Drop-in Sink

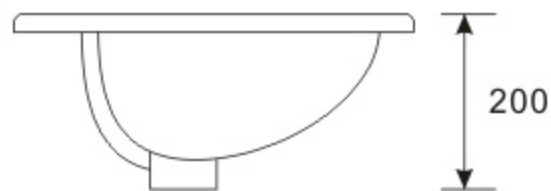
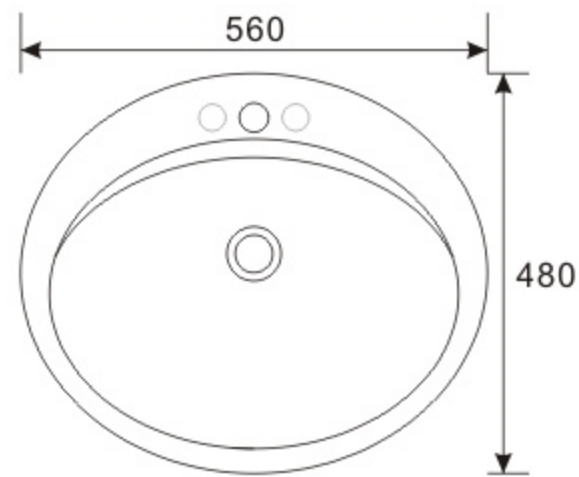
Size: 490 x 400 x 190 mm

19 2/8" x 15 6/8" x 7 4/8"

Installation: Drop-in



## Cutaway View



## Model : MJ-201

Drop-in Sink

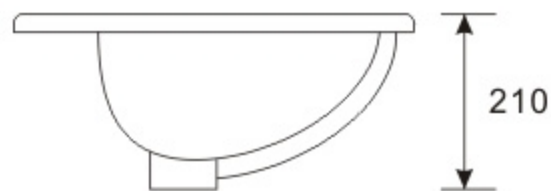
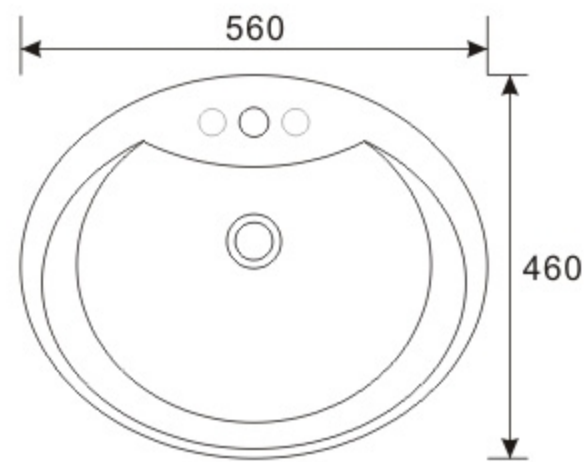
Size: 560 x 480 x 200 mm

22" x 18 7/8" x 7 7/8"

Installation: Drop-in



## Cutaway View



### **Model : MJ-201B**

Drop-in Sink

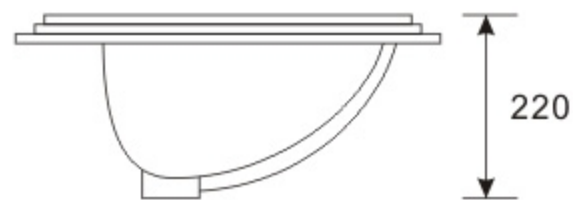
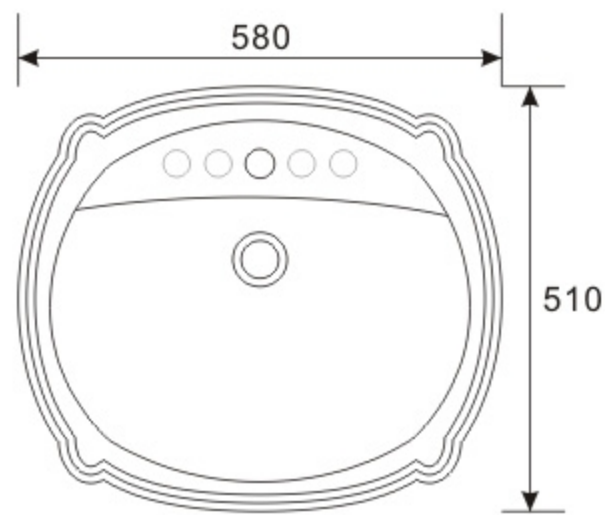
Size: 560 x 460 x 210 mm

22" x 18 1/8" x 8 2/8"

Installation: Drop-in



## Cutaway View



## Model : MJ-201C

Drop-in Sink

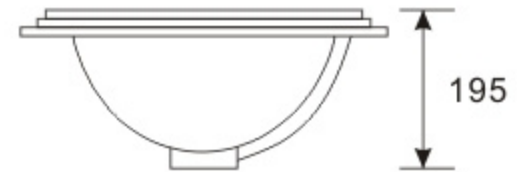
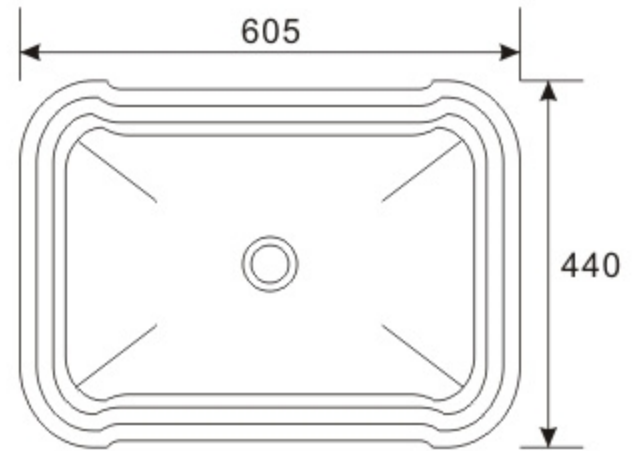
Size: 580 x 510 x 220 mm

22 7/8" x 20 1/8" x 8 5/8"

Installation: Drop-in



## Cutaway View



## Model : MJ-201D

Drop-in Sink

Size: 605 x 440 x 195 mm

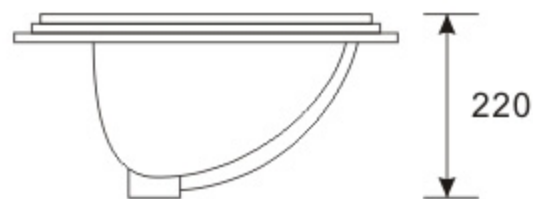
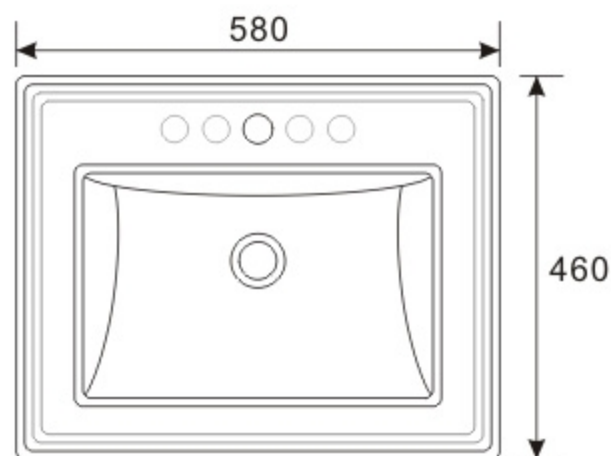
23 7/8" x 17 3/8" x 7 5/8"

Installation: Drop-in





## Cutaway View



## Model : MJ-201E

Drop-in Sink

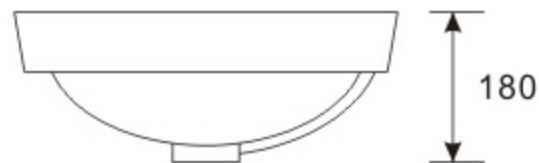
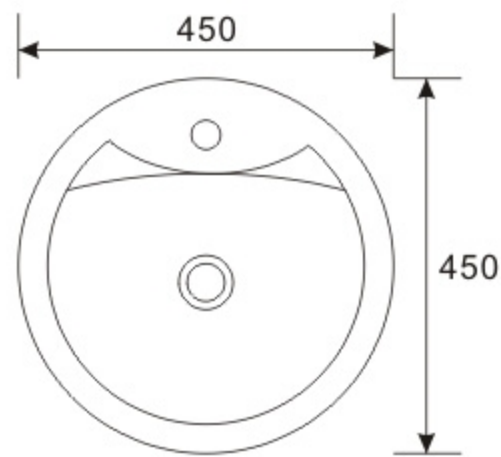
Size: 580 x 460 x 220 mm

22 7/8" x 18 1/8" x 8 5/8"

Installation: Drop-in



## Cutaway View



### Model : MJ-213

Drop-in Sink

Size: 450 x 450 x 180 mm

17 6/8" x 17 6/8" x 7 1/8"

Installation: Drop-in



## Model : MJ-118C

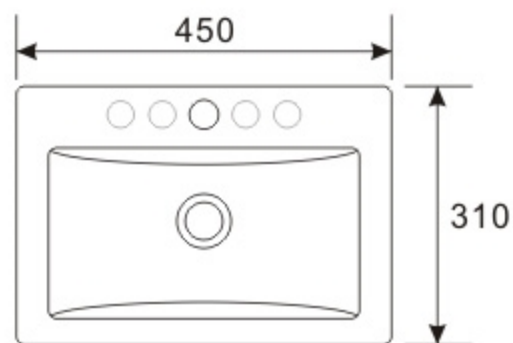
Vessel Sink

Size: 450 x 310 x 105 mm

17 6/8" x 12 2/8" x 4 1/8"

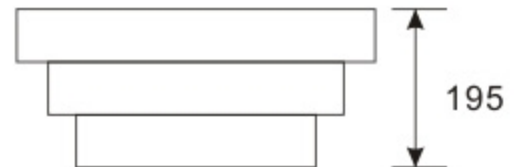
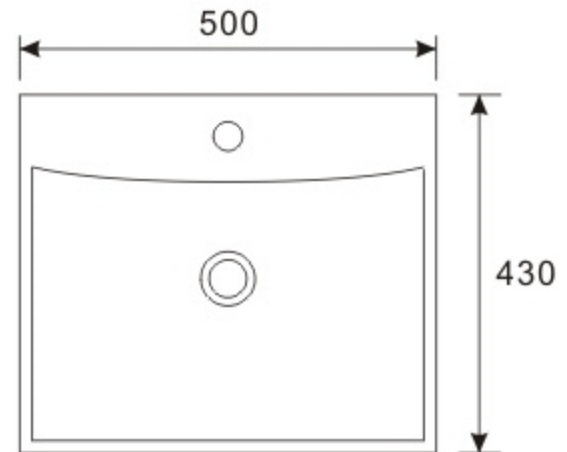
Installation: Vessel

## Cutaway View





## Cutaway View



## Model : MJ-118E

Vessel Sink

Size: 500 x 430 x 195 mm

19 5/8" x 16 7/8" x 7 5/8"

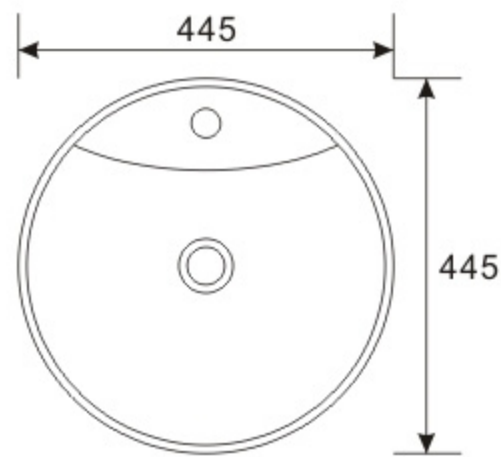
Installation: Drop-in

**Compiles with:**

ASME A112.19.2-2013/CSA B45.1-13



## Cutaway View



## Model : MJ-212B

Vessel Sink

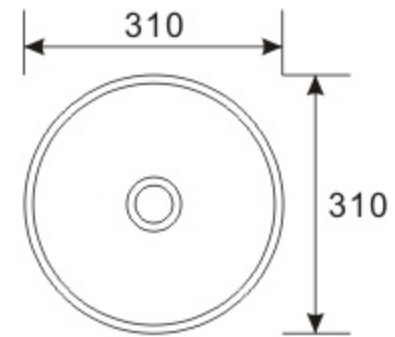
Size: 445 x 445 x 185 mm

17 4/8" x 17 4/8" x 7 2/8"

Installation: Drop-in



## Cutaway View



## Model : MJ-215A

Vessel Sink

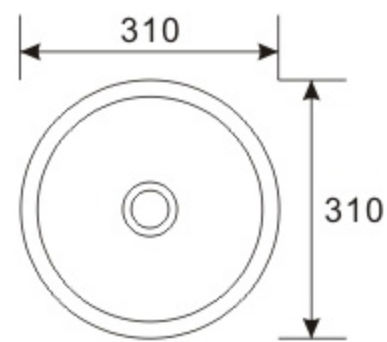
Size: 310 x 310 x 165 mm

12 2/8" x 12 2/8" x 6 4/8"

Installation: Vessel



## Cutaway View



### Model : MJ-215F

Vessel Sink

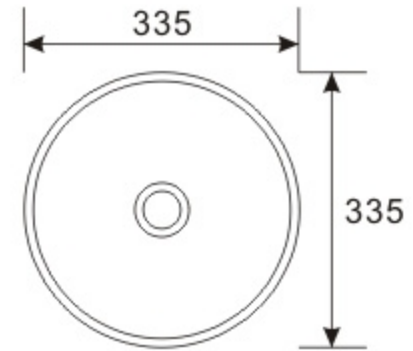
Size: 310 x 310 x 155 mm

12 2/8" x 12 2/8" x 6 1/8"

Installation: Vessel



## Cutaway View



### **Model : MJ-215G**

Vessel Sink

Size: 335 x 335 x 150 mm

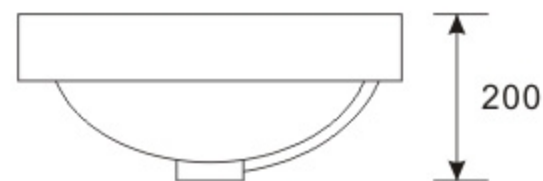
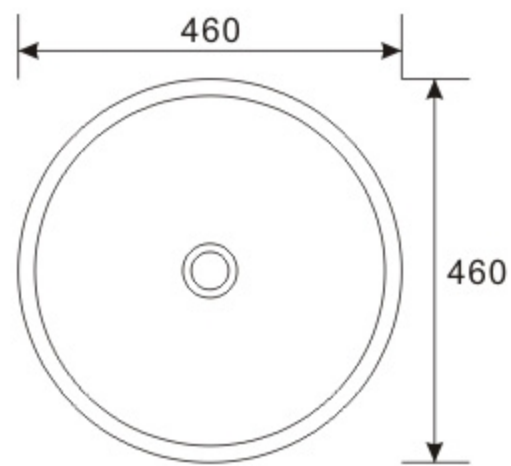
13 2/8" x 13 2/8" x 5 7/8"

Installation: Vessel





## Cutaway View



### **Model : MJ-218A**

Drop-in Sink

Size: 460 x 460 x 200 mm

18 1/8" x 18 1/8" x 7 7/8"

Installation: Drop-in



## Model : MJ-218F

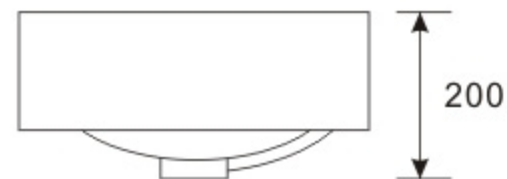
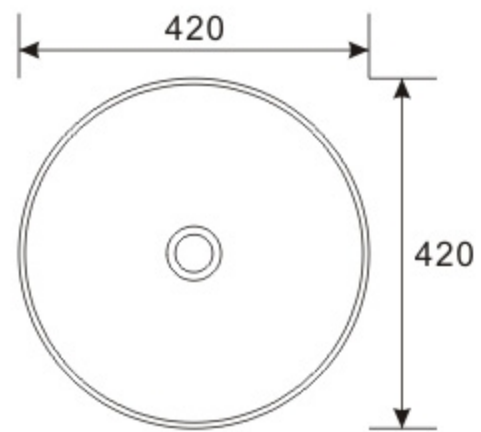
Vessel Sink

Size: 420 x 420 x 200 mm

16 4/8" x 16 4/8" x 7 7/8"

Installation: Drop-in

## Cutaway View





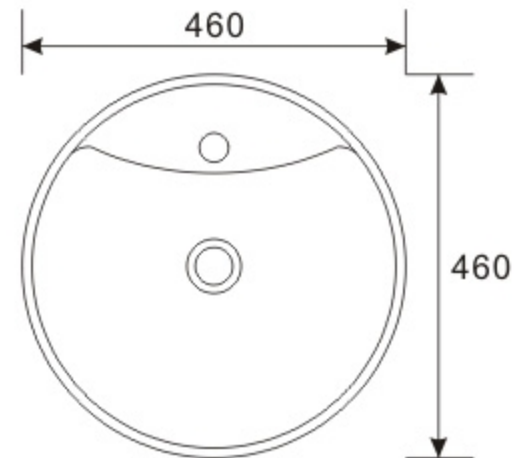
## Model : MJ-222A

Vessel Sink

Size: 460 x 460 x 150 mm  
18 1/8" x 18 1/8" x 5 7/8"

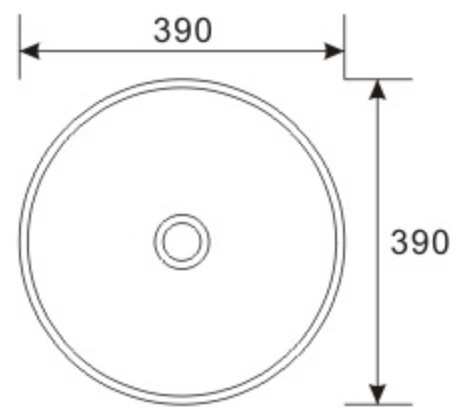
Installation: Vessel

## Cutaway View





## Cutaway View



### **Model : MJ-222C**

Vessel Sink

Size: 390 x 390 x 150 mm

15 3/8" x 15 3/8" x 5 7/8"

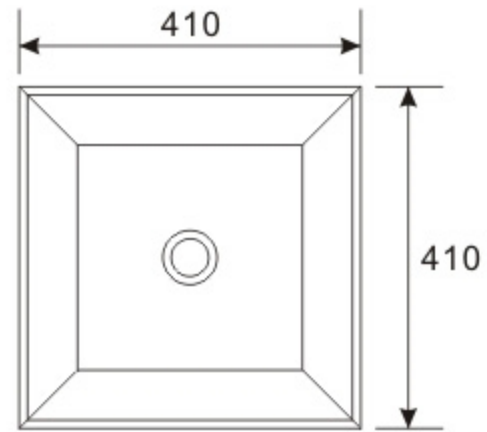
Installation: Vessel

**Compiles with:**

ASME A112.19.2-2013/CSA B45.1-13



## Cutaway View



## Model : MJ-230

Vessel Sink

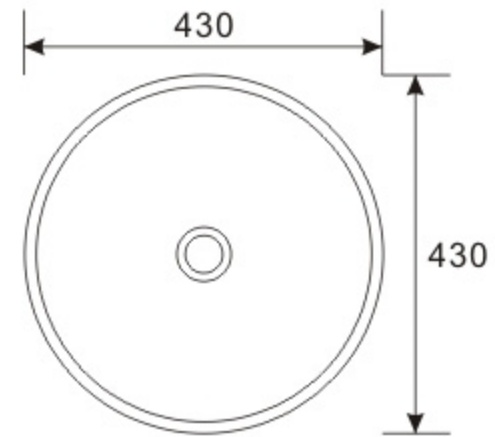
Size: 410 x 410 x 120 mm

16 1/8" x 16 1/8" x 4 6/8"

Installation: Vessel



## Cutaway View



## Model : MJ-231

Vessel Sink

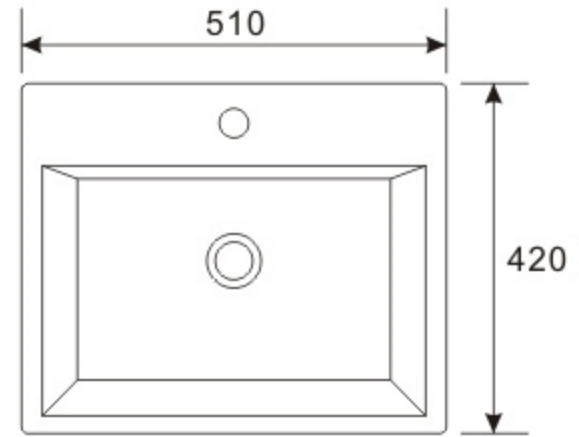
Size: 430 x 430 x 170 mm

16 7/8" x 16 7/8" x 6 6/8"

Installation: Vessel



## Cutaway View



## Model : MJ-241

Vessel Sink

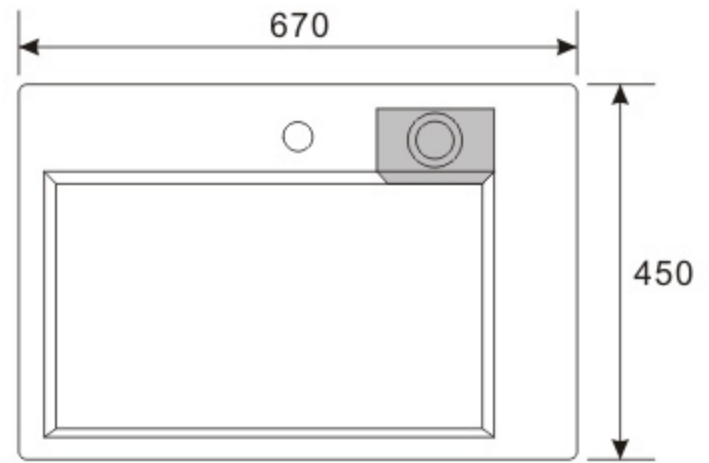
Size: 510 x 420 x 150 mm

20 1/8" x 16 4/8" x 5 7/8"

Installation: Vessel



## Cutaway View



## Model : MJ-252

Vessel Sink

Size: 670 x 450 x 155 mm

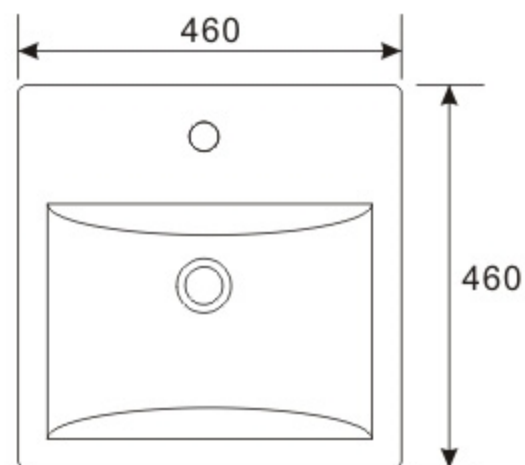
26 3/8" x 17 6/8" x 6 1/8"

Installation: Vessel





## Cutaway View



## Model : MJ-256

Vessel Sink

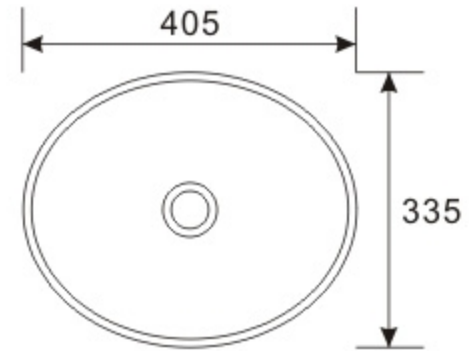
Size: 460 x 460 x 165 mm

18 1/8" x 18 1/8" x 6 4/8"

Installation: Vessel



## Cutaway View



## Model : MJ-260A

Vessel Sink

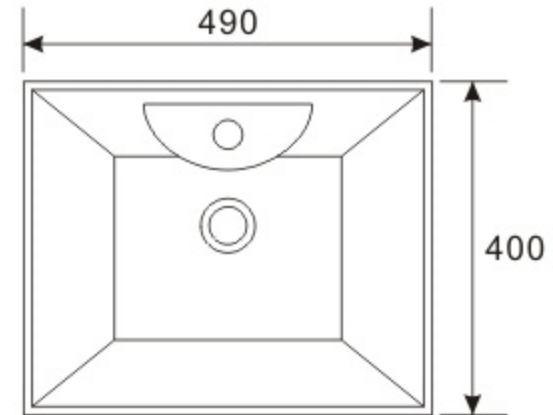
Size: 405 x 335 x 140 mm

16" x 13 2/8" x 5 4/8"

Installation: Vessel



## Cutaway View



## Model : MJ-264

Vessel Sink

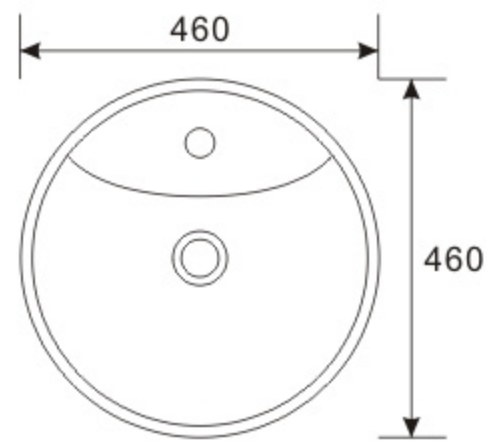
Size: 490 x 400 x 185 mm

19 2/8" x 15 6/8" x 7 2/8"

Installation: Vessel



## Cutaway View



### Model : MJ-269

Vessel Sink

Size: 460 x 460 x 170 mm

18 1/8" x 18 1/8" x 6 6/8"

Installation: Vessel



## Model : MJ-274

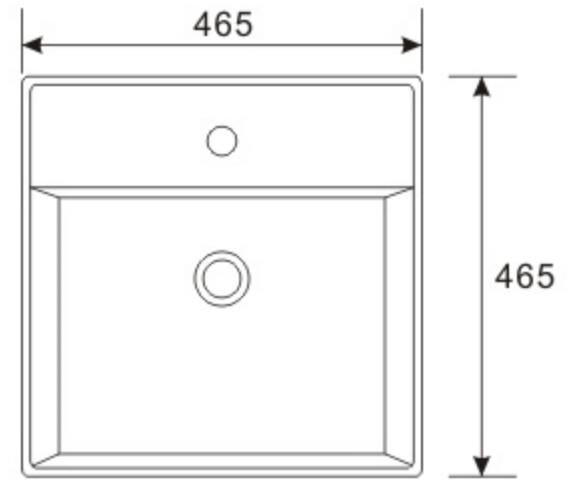
Vessel Sink

Size: 465 x 465 x 170 mm

18 2/8" x 18 2/8" x 6 6/8"

Installation: Vessel

## Cutaway View





## Model : MJ-274A

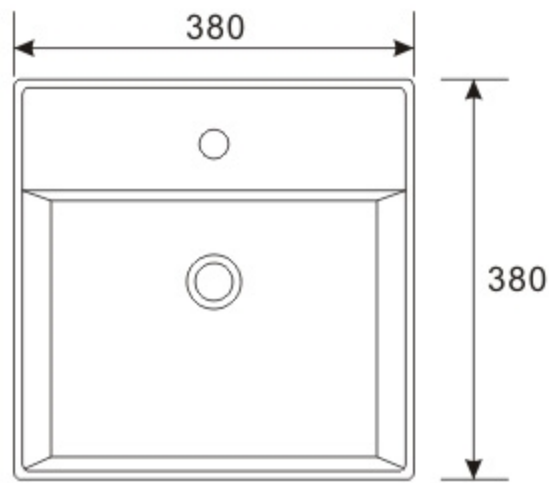
Vessel Sink

Size: 380 x 380 x 125 mm

15" x 15" x 4 7/8"

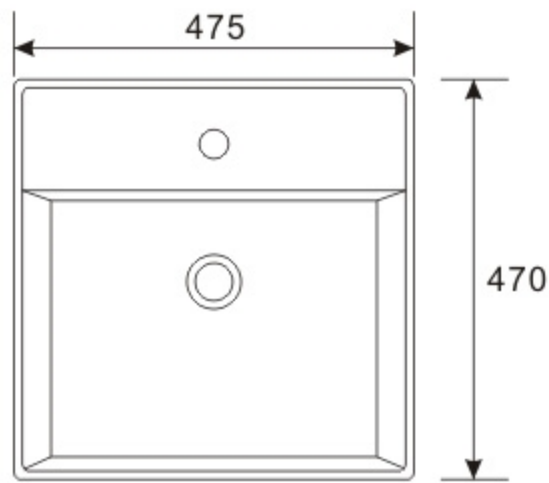
Installation: Vessel

## Cutaway View





## Cutaway View



## Model : MJ-274C

Vessel Sink

Size: 475 x 470 x 140 mm

18 6/8" x 18 4/8" x 5 4/8"

Installation: Vessel



## Model : MJ-274E

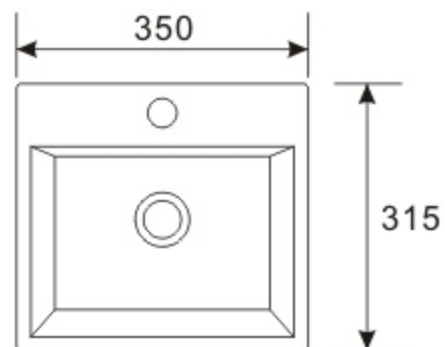
Vessel Sink

Size: 350 x 315 x 115 mm

13 6/8" x 12 3/8" x 4 4/8"

Installation: Vessel

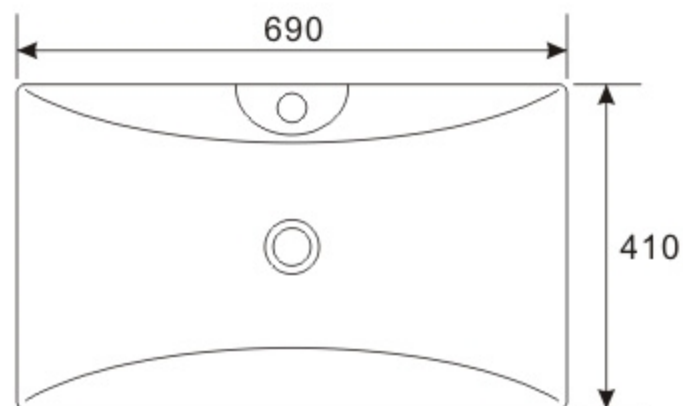
## Cutaway View







## Cutaway View



## Model : MJ-280A

Vessel Sink

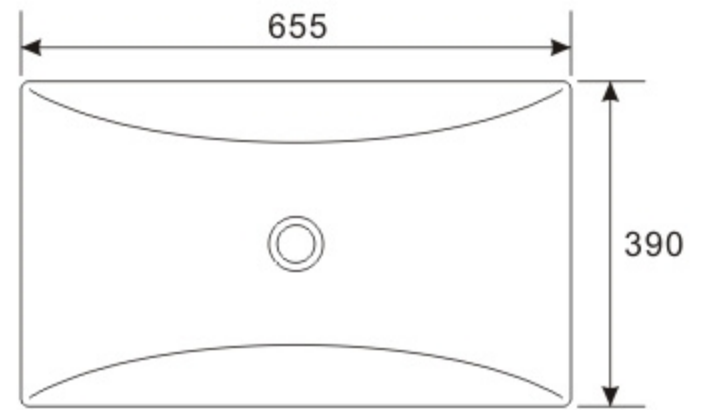
Size: 690 x 410 x 130 mm

27 1/8" x 16 1/8" x 5 1/8"

Installation: Vessel



## Cutaway View



## Model : MJ-280B

Vessel Sink

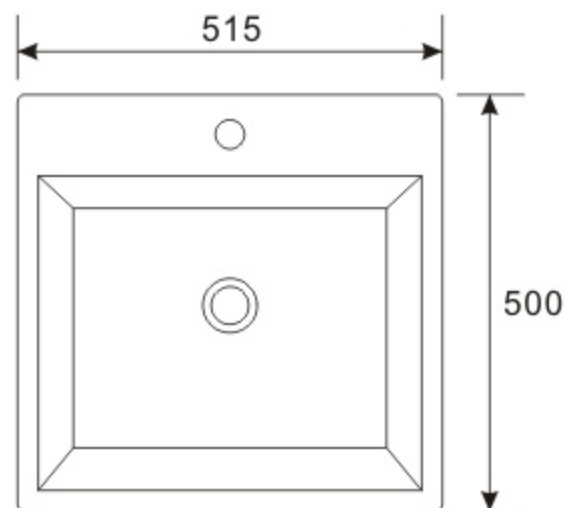
Size: 655 x 390 x 130 mm

25 6/8" x 15 3/8" x 5 1/8"

Installation: Vessel



## Cutaway View



## Model : MJ-281

Dope-in Sink

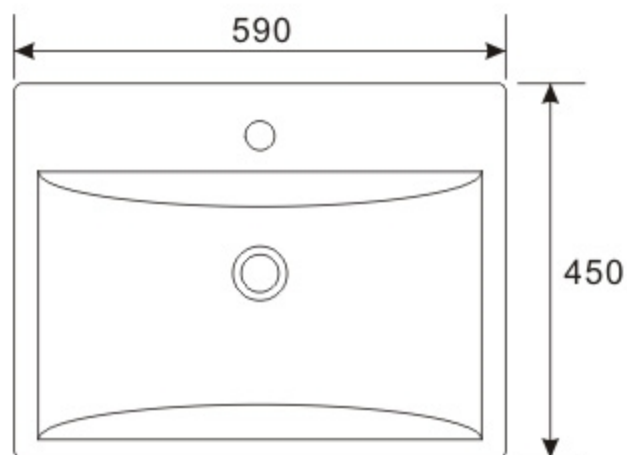
Size: 515 x 500 x 170 mm

20 2/8" x 19 5/8" x 6 6/8"

Installation: Vessel



## Cutaway View



### **Model : MJ-281A**

Dope-in Sink

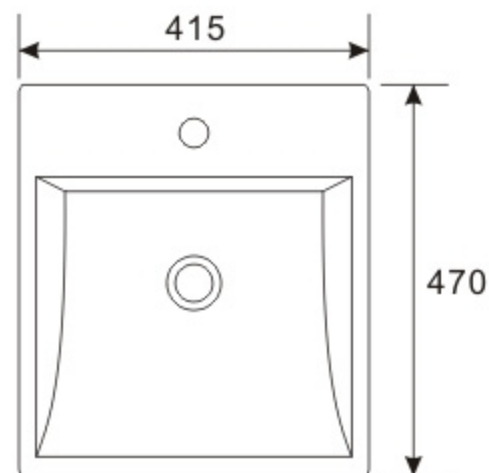
Size: 590 x 450 x 160 mm

23 2/8" x 17 6/8" x 6 2/8"

Installation: Dope-in



## Cutaway View



## Model : MJ-282D

Dope-in Sink

Size: 415 x 470 x 155 mm

16 3/8" x 18 4/8" x 6 1/8"

Installation: Dope-in



## Model : MJ-283A

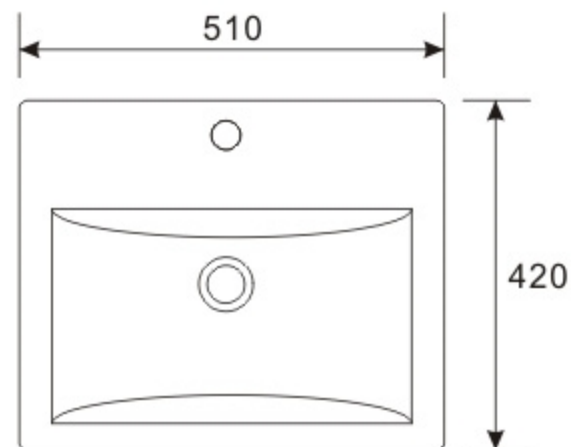
Vessel Sink

Size: 510 x 420 x 150 mm

20 1/8" x 16 4/8" x 5 7/8"

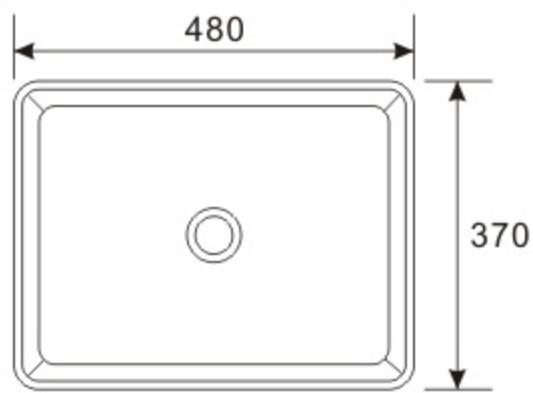
Installation: Vessel

## Cutaway View





## Cutaway View



### Model : MJ-285B

Vessel Sink

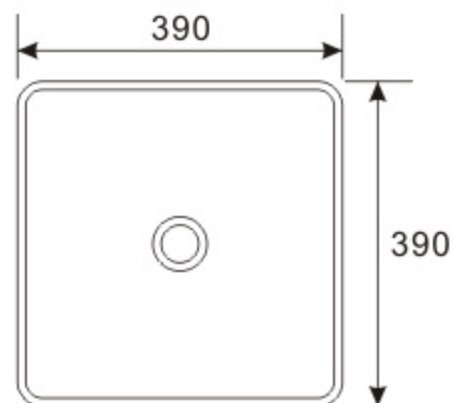
Size: 480 x 370 x 125 mm

18 7/8" x 14 5/8" x 4 7/8"

Installation: Vessel



## Cutaway View



### **Model : MJ-285C**

Vessel Sink

Size: 390 x 390 x 100 mm

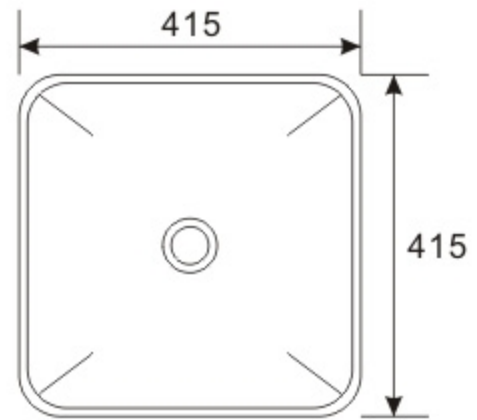
15 3/8" x 15 3/8" x 3 7/8"

Installation: Vessel





## Cutaway View



### **Model : MJ-285E**

Vessel Sink

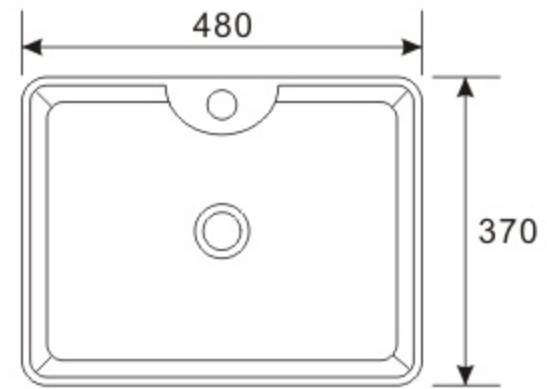
Size: 415 x 415 x 175 mm

16 3/8" x 16 3/8" x 6 7/8"

Installation: Drop-in



## Cutaway View



### **Model : MJ-285F**

Vessel Sink

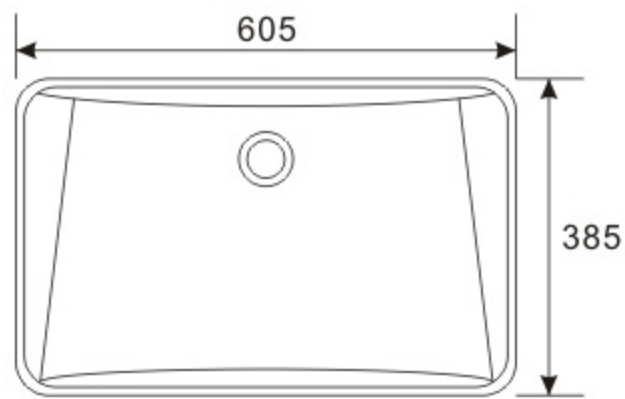
Size: 480 x 370 x 135 mm

18 7/8" x 14 5/8" x 5 3/8"

Installation: Vessel



## Cutaway View



## Model : MJ-285i

Vessel Sink

Size: 605 x 385 x 125 mm

23 7/8" x 15 1/8" x 4 7/8"

Installation: Vessel



## Model : MJ-285K

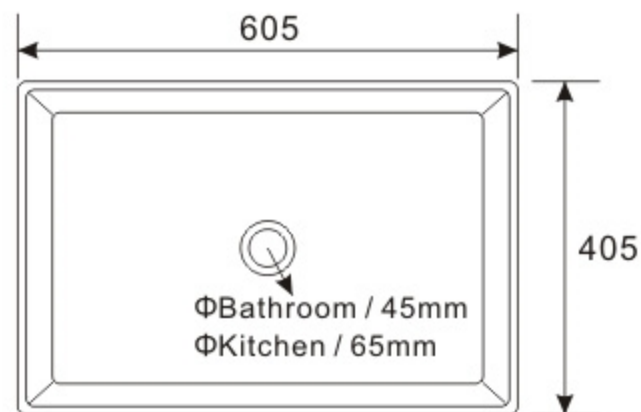
Kitchen Sink / Vessel Sink

Size: 605 x 405 x 200 mm

23 7/8" x 16" x 7 7/8"

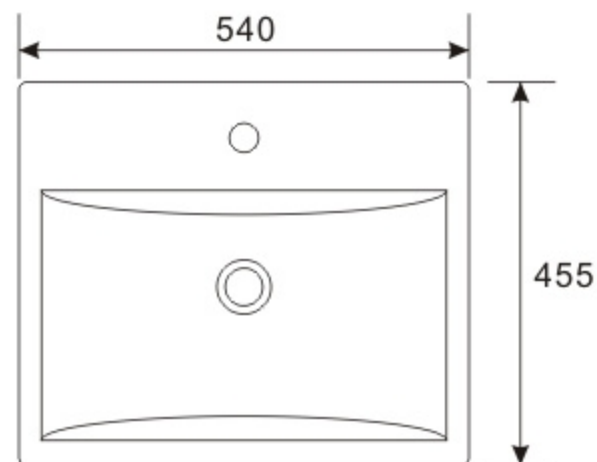
Installation: Under-mount

### Cutaway View





## Cutaway View



## Model : MJ-286

Vessel Sink

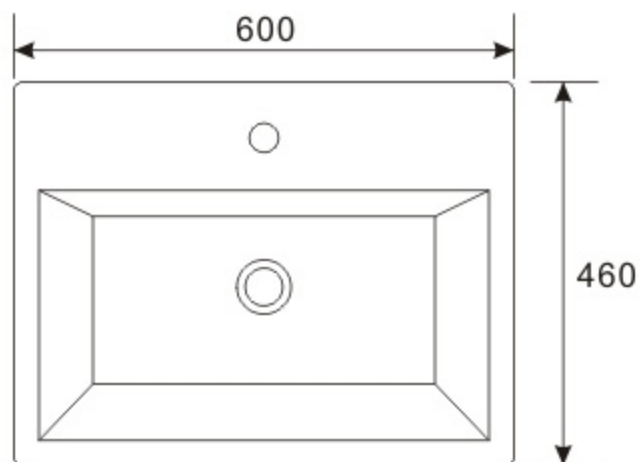
Size: 540 x 455 x 160 mm

21 2/8" x 17 7/8" x 6 2/8"

Installation: Drop-in



## Cutaway View



## Model : MJ-287

Vessel Sink

Size: 600 x 460 x 175 mm

23 5/8" x 18 1/8" x 6 7/8"

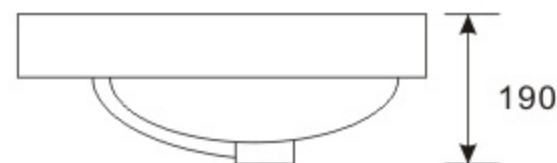
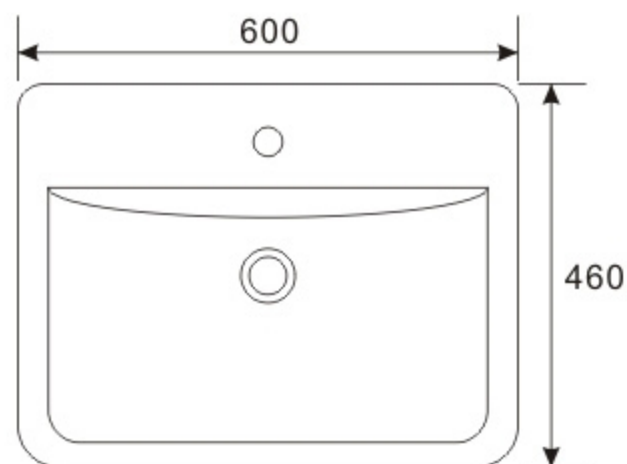
Installation: Drop-in

**Compiles with:**

ASME A112.19.2-2013/CSA B45.1-13



## Cutaway View



## Model : MJ-287B

Vessel Sink

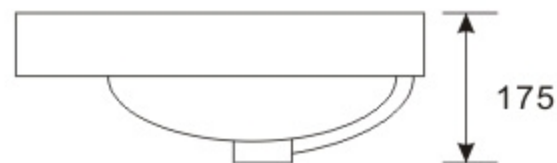
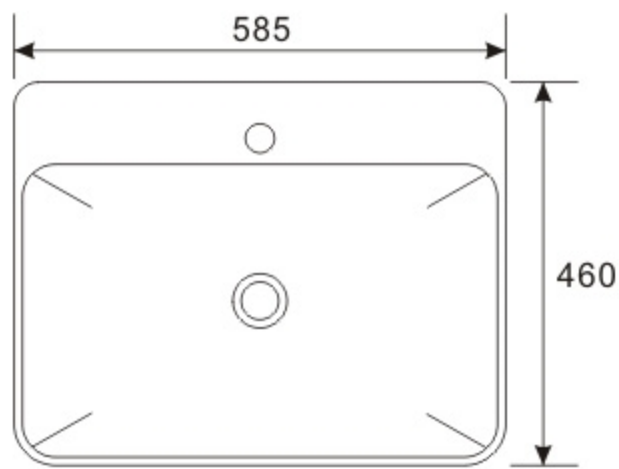
Size: 600 x 460 x 190 mm

23 5/8" x 18 1/8" x 7 4/8"

Installation: Drop-in



## Cutaway View



## Model : MJ-287E

Vessel Sink

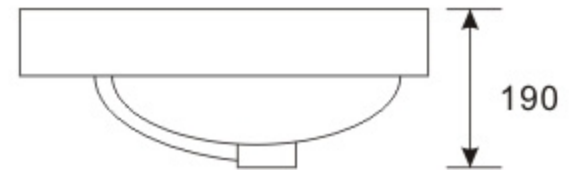
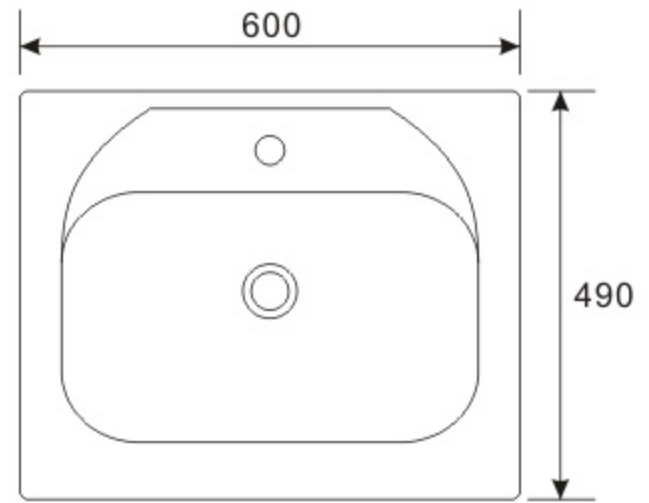
Size: 585 x 460 x 175 mm  
23" x 18 1/8" x 6 7/8"

Installation: Drop-in





## Cutaway View



## Model : MJ-661A

Vessel Sink

Size: 600 x 490 x 190 mm

23 5/8" x 19 2/8" x 7 4/8"

Installation: Drop-in